



# Quick Release Strap

## First Time Installation

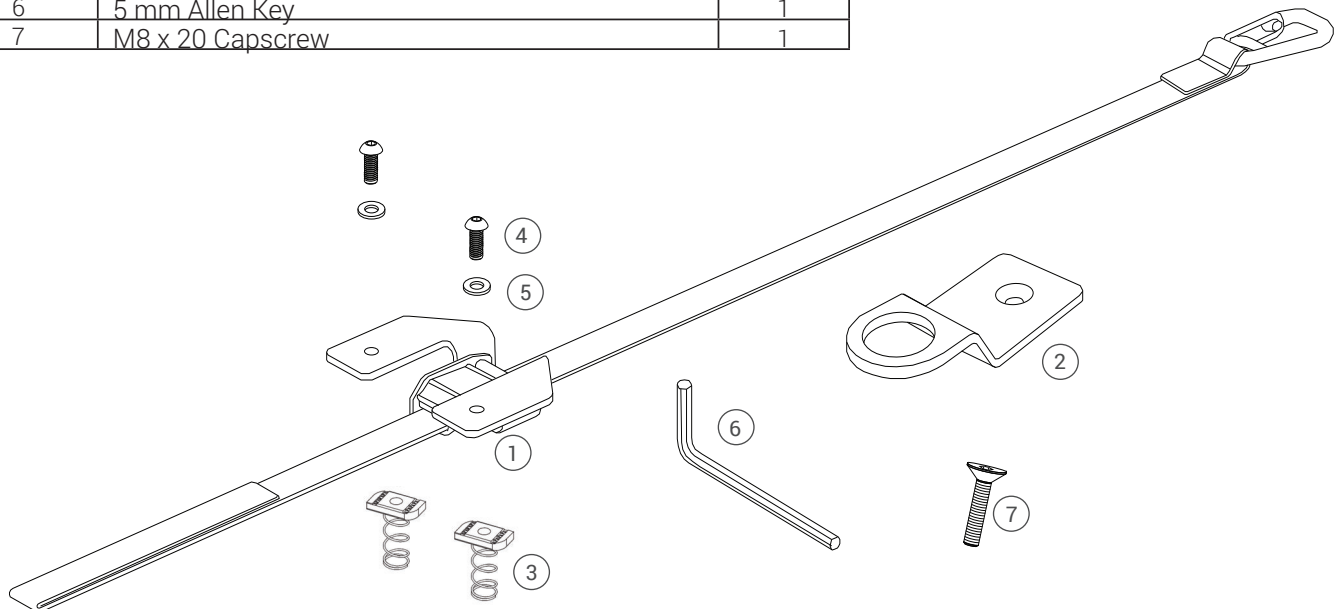
- Please read instructions carefully before installation.
- Check the contents of kit. Contact your Prorack dealer if any parts appear to be missing or damaged.
- Clean your roof racks prior to fitting the Ratchet Grabs.

## Important Warning

- It is critical that all Prorack racks and accessories be properly and securely attached to your vehicle. Improper attachment could result in an automobile accident, and could cause serious bodily injury or death to you or to others.
- You are responsible for securing the racks and accessories to your car, checking the attachments prior to use, and periodically inspecting the products for adjustment, wear, and damage.
- If you do not understand all of the instructions and cautions, or if you have no mechanical experience and are not thoroughly familiar with the installation procedures, you should have the product installed by a professional installer such as a roof rack specialist.

## Kit Contents

Item	Component	Qty
1	Camlock and Strap Assembly	1
2	Bracket - Hook WHD	1
3	M8 Long Spring Nut	3
4	M8 x 20 Capscrew Buttonhead	2
5	M8 Flush Rail Washer	2
6	5 mm Allen Key	1
7	M8 x 20 Capscrew	1

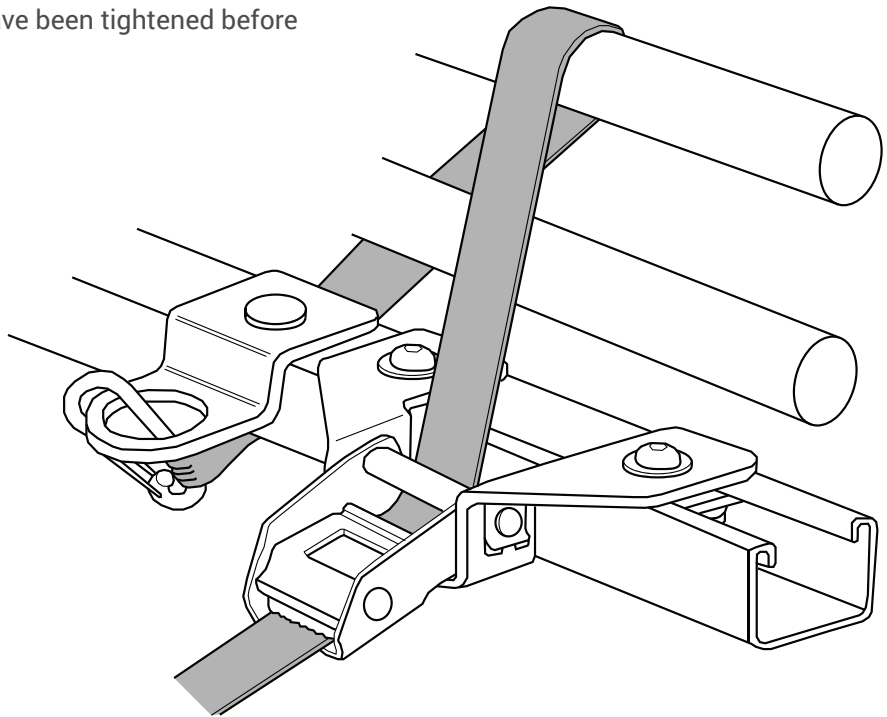


**1**

Place spring nuts in crossbar channel at desired position.

Using M8 x 20 Buttonhead screw and washers, fasten Camplock Bracket to Crossbar as shown. Tighten with Allen Key supplied. Ensure all mounting fasteners have been tightened before using this product.

Using M8 x 20 Countersink Head Screw, fasten Eye Hook Bracket to Crossbar. Position Eye Hook Bracket as close to the Camlock as possible as shown. Tighten with Allen Key supplied.



### **Recommendations**

- Check accessory is securely attached whenever you refit it to the vehicle. If the unit feels loose, refer to the fitting instructions and readjust.
- Regularly check all fasteners. This includes all attached accessories and roof racks.
- Ensure that all loads are distributed evenly across the roof racks and are fastened securely.

### **Caution**

- A loaded roof rack system can alter the performance of your vehicle. Be especially aware of the effects of side winds, changing of direction, and braking performance. Avoid rapid acceleration and deceleration. Drive Carefully.
- Make sure all loads are securely fastened with non-elastic straps. Check regularly during longer journeys.
- Never drive into a car wash with a roof rack system or accessories fitted.
- Do not exceed the vehicle manufacturer's roof load rating. Total load equals weight of roof racks + accessories + cargo/ equipment.

  
**Prorack**<sup>®</sup>  
*Ready for anything*

**Prorack**  
17 Hinkler Court, Brendale  
QLD 4500, Australia

Freephone  
AU: 1800 143 548  
NZ: 0800 4776 722

[www.prorack.com.au](http://www.prorack.com.au)  
[www.prorack.co.nz](http://www.prorack.co.nz)