

### Caution

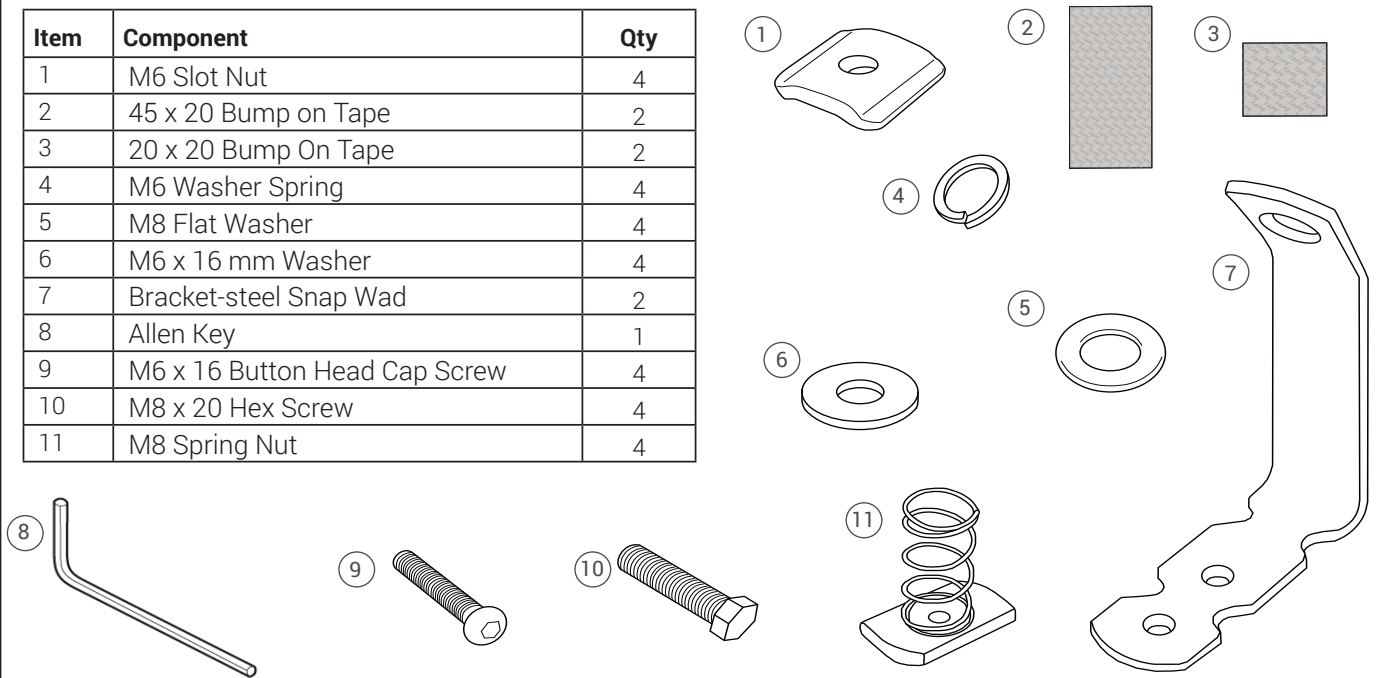
- Tie down long or wide loads at the front and rear of the vehicle with non-elastic straps. If it looks like it can catch some air, it will. **TIE IT DOWN!**
- When loading your surf gear or kayak, ensure that it is mounted correctly using the tie downs provided and is positioned centrally, parallel to the vehicle.
- Check straps periodically during travel and tighten if necessary. Replace any straps that are worn or frayed before using (see your Prorack dealer).

### Important Warning

- It is critical that all Prorack racks and accessories be properly and securely attached to your vehicle. Improper attachment could result in an automobile accident, and could cause serious bodily injury or death to you or to others.
- You are responsible for securing the racks and accessories to your car, checking the attachments prior to use, and periodically inspecting the products for adjustment, wear, and damage. Therefore, you must read and understand all of the instructions and cautions supplied with your Prorack product prior to installation or use.
- If you do not understand all of the instructions and cautions, or if you have no mechanical experience and are not thoroughly familiar with the installation procedures, you should have the product installed by a professional installer such as a roof rack specialist.

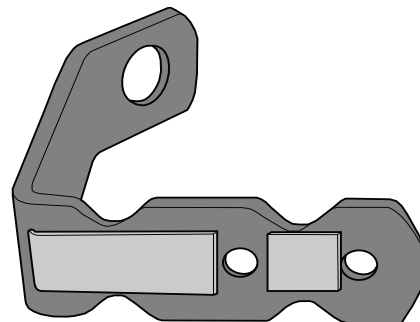
### Kit Contents

Item	Component	Qty
1	M6 Slot Nut	4
2	45 x 20 Bump on Tape	2
3	20 x 20 Bump On Tape	2
4	M6 Washer Spring	4
5	M8 Flat Washer	4
6	M6 x 16 mm Washer	4
7	Bracket-steel Snap Wad	2
8	Allen Key	1
9	M6 x 16 Button Head Cap Screw	4
10	M8 x 20 Hex Screw	4
11	M8 Spring Nut	4

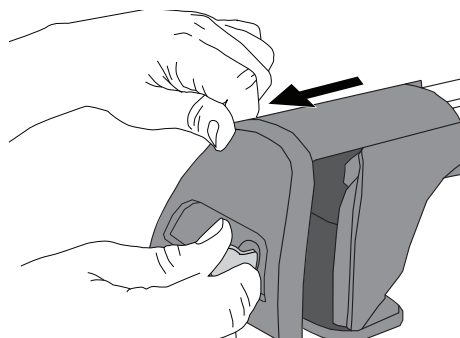


## Flush, Through and HD Bar Installation

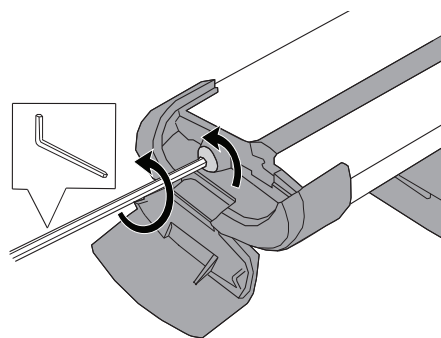
- 1** Cut bump on tape to size. Apply as shown.



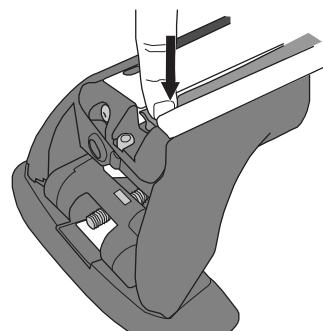
- 2** For Flush Bar, remove cover with keys.



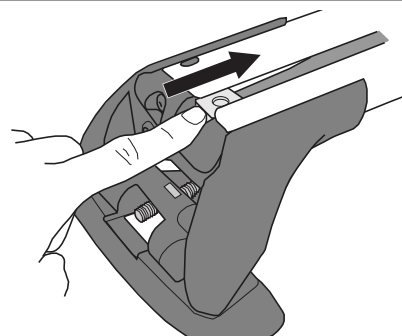
- 3** For Through Bar, unfasten security screw with a Hex Key and lift the accessory tab up.



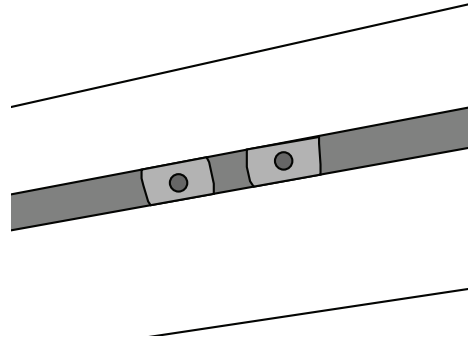
- 4** Push rubber infill.



- 5** Slide square nut along channel.  
Position where you want the accessory.

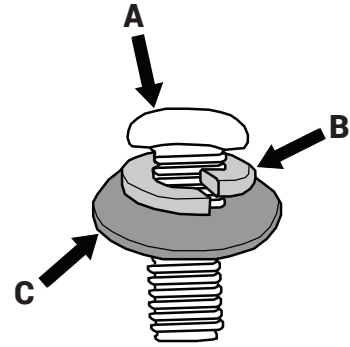


**6** Repeat for all four positions.



**7** Assemble as shown.

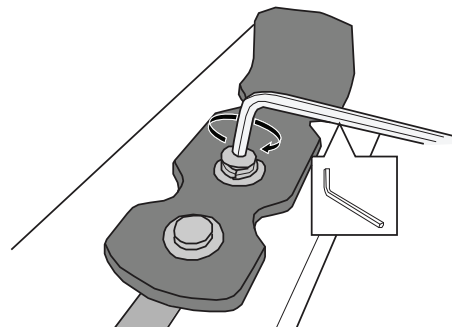
Ensure spring washer (B) is between standard washer (C) and the head of the screw (A).



**8** Attach capscrew with the Hex Key. Do not fully tighten.

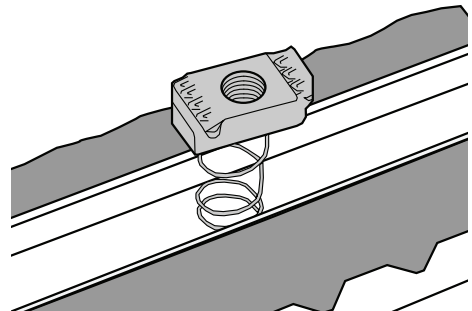
Repeat for both holders.

Tighten all screws.

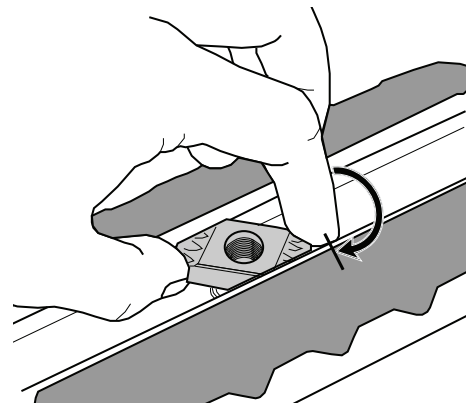


**9** Place spring nut into crossbar channel.

Position where you want the accessory to be.

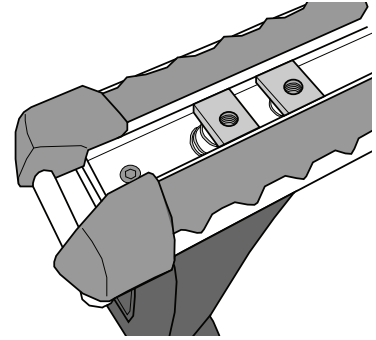


**10** Push down and twist the spring nut to lock into place.



11

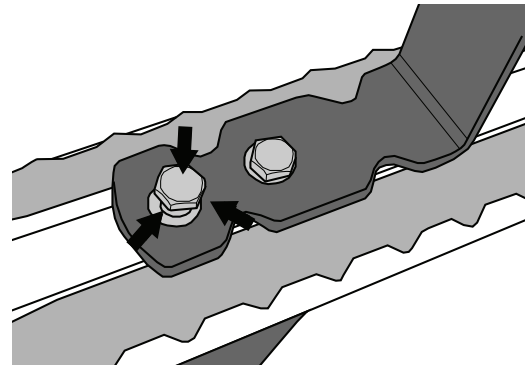
Repeat for all four positions.



12

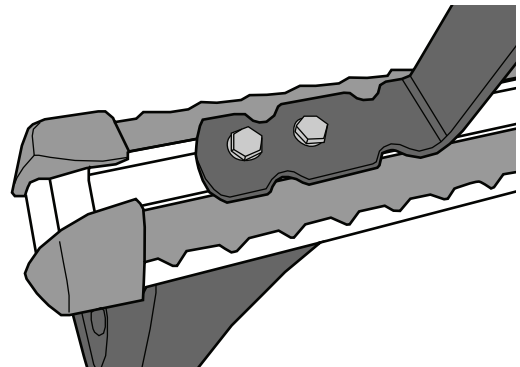
Place washer (B) between the load holder (C) and the head of the bolt (A).

Repeat for both holders.



13

Screw the bolt into the nut to secure the load holder.



  
**Prorack**<sup>®</sup>  
*Ready for anything*

**Prorack**  
17 Hinkler Court, Brendale  
QLD 4500, Australia

Freephone  
AU: 1800 143 548  
NZ: 0800 4776 722

[www.prorack.com.au](http://www.prorack.com.au)  
[www.prorack.co.nz](http://www.prorack.co.nz)