

## First Time Installation

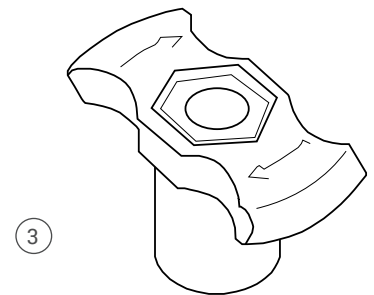
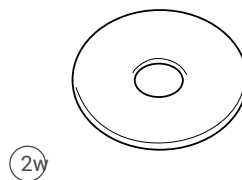
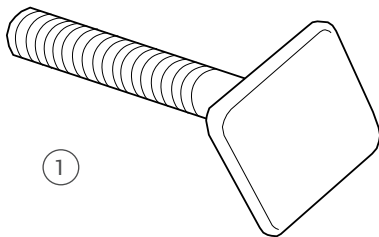
- Please read instructions carefully before installation.
- Check the contents of kit. Contact your Prorack dealer if any parts appear to be missing or damaged.
- Clean your roof racks and alloy tray prior to fitting the Gas Bottle Restraint.

## Important Warning

- It is critical that all Prorack racks and accessories be properly and securely attached to your vehicle. Improper attachment could result in an automobile accident, and could cause serious bodily injury or death to you or to others.
- You are responsible for securing the racks and accessories to your car, checking the attachments prior to use, and periodically inspecting the products for adjustment, wear, and damage.
- If you do not understand all of the instructions and cautions, or if you have no mechanical experience and are not thoroughly familiar with the installation procedures, you should have the product installed by a professional installer such as a roof rack specialist.

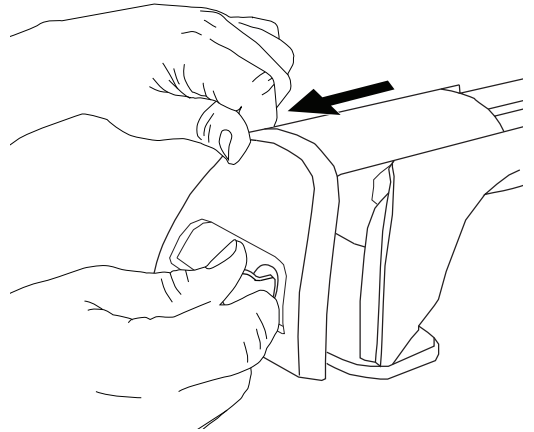
## Kit Contents

Item	Component	Qty
1	T-Slot M6 x 35 mm Bolt	4
2	M8 x 35 x 3 mm Washer	4
3	Knob with M6 Nut	4

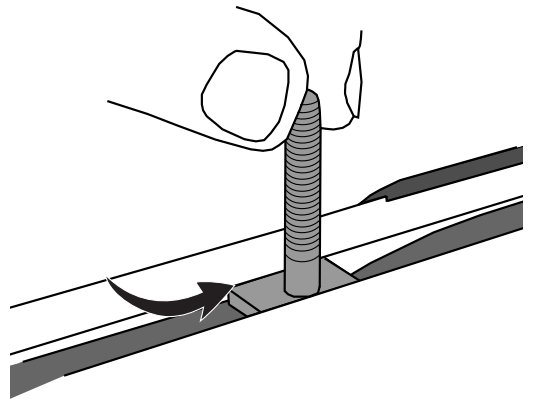


## Instructions for Flush and Through Bar Installation

- 1 Use keys to remove covers.

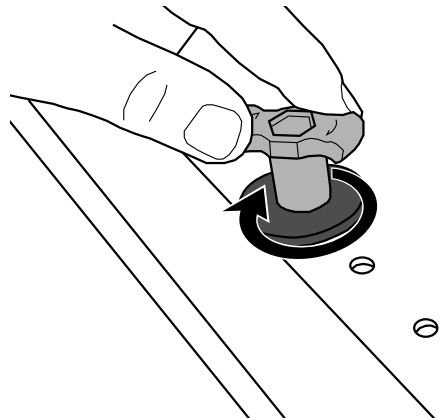


- 1 Slide two T-bolts into each crossbar.

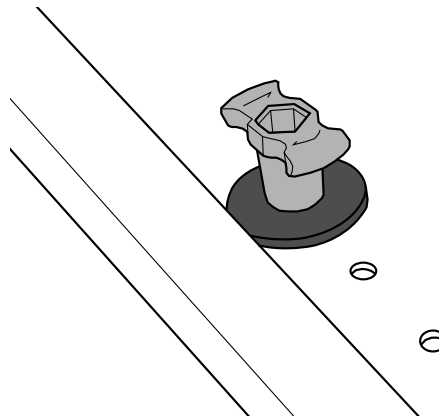


- 1 Place roof box over the T-bolts and place large washer over thread on T-bolts.

Loosely attach knobs



- 1 Once the position of the roof box has been finalised, fully tighten all red plastic knobs.





**Prorack**  
17 Hinkler Court, Brendale  
QLD 4500, Australia

Freephone  
AU: 1800 143 548  
NZ: 0800 4776 722

[www.prorack.com.au](http://www.prorack.com.au)  
[www.prorack.co.nz](http://www.prorack.co.nz)

ALL CONTENT SUBJECT TO YAKIMA AUSTRALIA PTY LTD COPYRIGHT © 2015