



Spare Wheel Restraint

First Time Installation

- Please read instructions carefully before installation.
- Check the contents of kit. Contact your Prorack dealer if any parts appear to be missing or damaged.
- Clean your roof racks and luggage basket or tray prior to fitting the Spare Wheel Restraint.

Important Warning

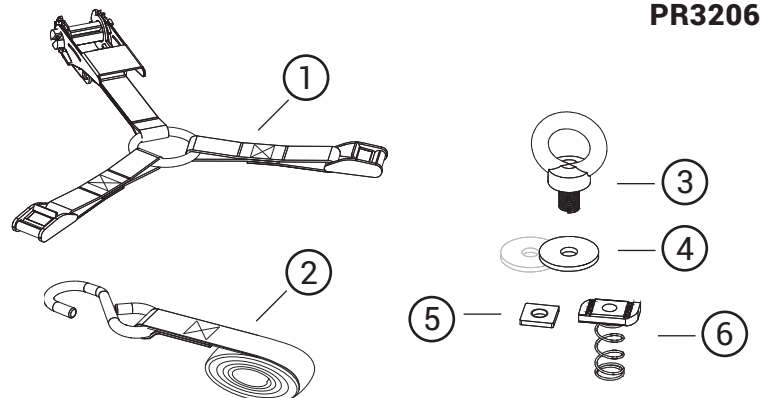
- It is critical that all Prorack racks and accessories be properly and securely attached to your vehicle. Improper attachment could result in an automobile accident, and could cause serious bodily injury or death to you or to others.
- You are responsible for securing the racks and accessories to your car, checking the attachments prior to use, and periodically inspecting the products for adjustment, wear, and damage.
- If you do not understand all of the instructions and cautions, or if you have no mechanical experience and are not thoroughly familiar with the installation procedures, you should have the product installed by a professional installer such as a roof rack specialist.

Tools Required

- Screwdriver

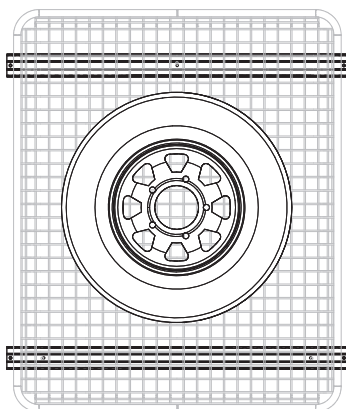
Kit Contents

Item	Component	Qty
1	Strap 3 Way Assembly	1
2	Hook & Strap Assembly (1.3 m)	3
3	M10 Eye Bolt	3
4	M10 Washer	6
5	M10 T-Nut	3
6	M10 Spring Nut	3

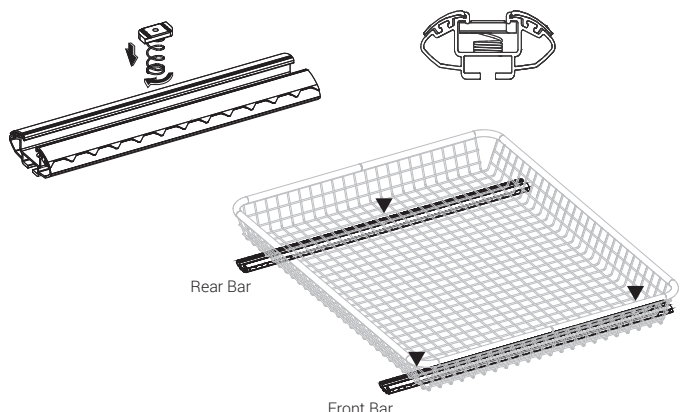


Installation with Prorack HD, Tradesman and Other Heavy Duty Crossbars

- 1** Load the spare tyre onto the tray/basket and position it centrally between two crossbars.



- 2** Position two M10 spring nuts on the front bar and one on the rear. Push down into crossbar channels and twist spring nuts to lock into place.



- 3** Fasten an M10 eye bolt and an M10 washer onto each M10 spring nut.

Tighten eye bolts.

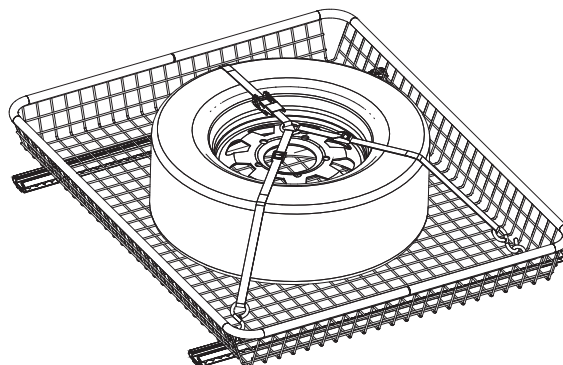
A tool such as a screwdriver through the eye of the bolt may be used for leverage to tighten the eye bolt firmly.



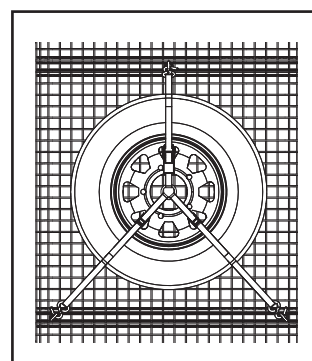
- 4** Hook straps onto the eye bolts and fasten the free ends to the cam buckles and ratchet.

Ensure the ring is in the centre of the wheel.

Tighten via ratchet.

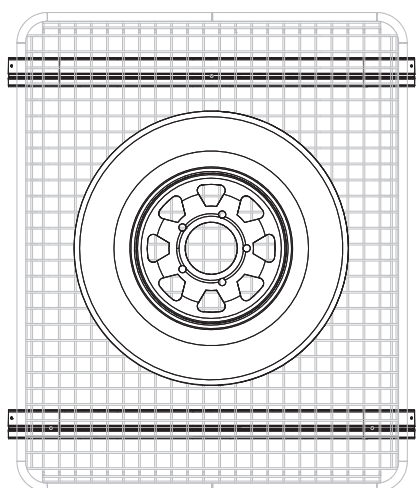


Top View

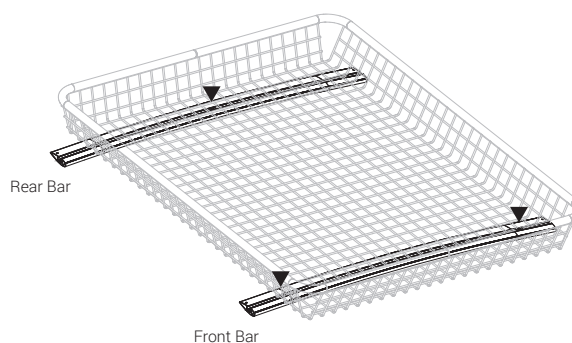
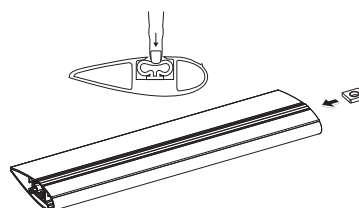


Installation with Prorack S-Wing and International T-Slot Crossbars

- 1** Load the spare tyre onto the tray/basket and position it centrally between two crossbars.



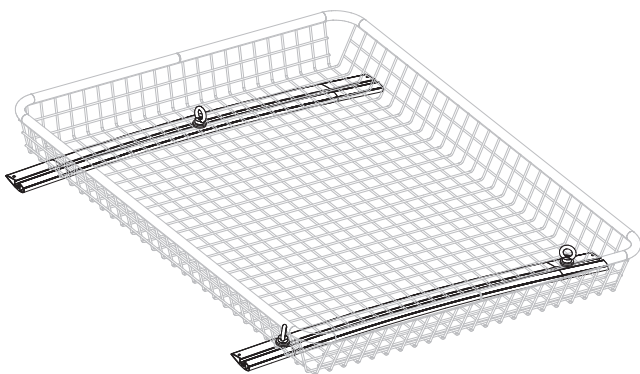
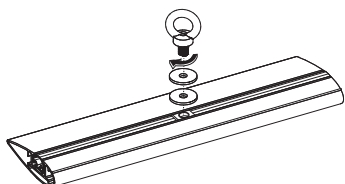
- 2** Push down rubber infill and slide M10 T-nuts into crossbar channels. Position two on the front bar and one on the rear.



- 3** Fasten an M10 eye bolt and 2 x M10 washers onto each M10 T-nut.

Tighten eye bolt.

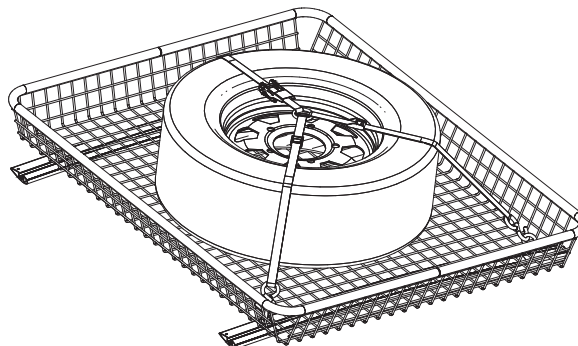
A tool such as a screwdriver through the eye of the bolt may be used for leverage to tighten the eye bolt firmly.



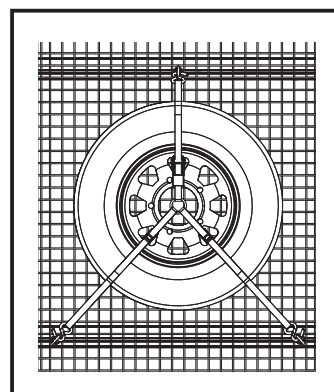
- 4** Hook straps onto the eye bolts and fasten the free ends to the cam buckles and ratchet.

Ensure the ring is in the centre of the wheel.

Tighten via ratchet.



Top View



Maintenance

- Check accessory is securely attached whenever you refit it to the vehicle. If the unit feels loose, refer to the fitting instructions and readjust.
- Regularly check all fasteners. This includes all attached accessories and roof racks.
- If straps become contaminated with oil, fuel or acid remove with hot soapy water.
- If the ratchet mechanism becomes stiff in use, a small amount of lubrication applied to the moving parts will ease operation.

Caution

- Ensure all loads are distributed evenly across the roof racks and are fastened securely.
- A loaded roof rack system can alter the performance of your vehicle. Be especially aware of the effects of side winds, changing of direction, and braking performance. Avoid rapid acceleration and deceleration. Drive carefully.
- Make sure all loads are securely fastened with non-elastic straps. Check regularly during longer journeys.
- Never drive into a car wash with the roof rack system fitted.
- Do not exceed the vehicle manufacturer's roof load rating. Total load equals weight of roof racks + accessories + cargo/ equipment.
- Ratcheting strap must not be used for lifting. Protect from abrasion and friction. Do not tie knots in the straps. Do not use a damaged strap.
- 150 kg lashing capacity on the polypropylene webbing.



Prorack
17 Hinkler Court, Brendale
QLD 4500, Australia

Freephone
AU: 1800 143 548 www.prorack.com.au
NZ: 0800 4776 722 www.prorack.co.nz