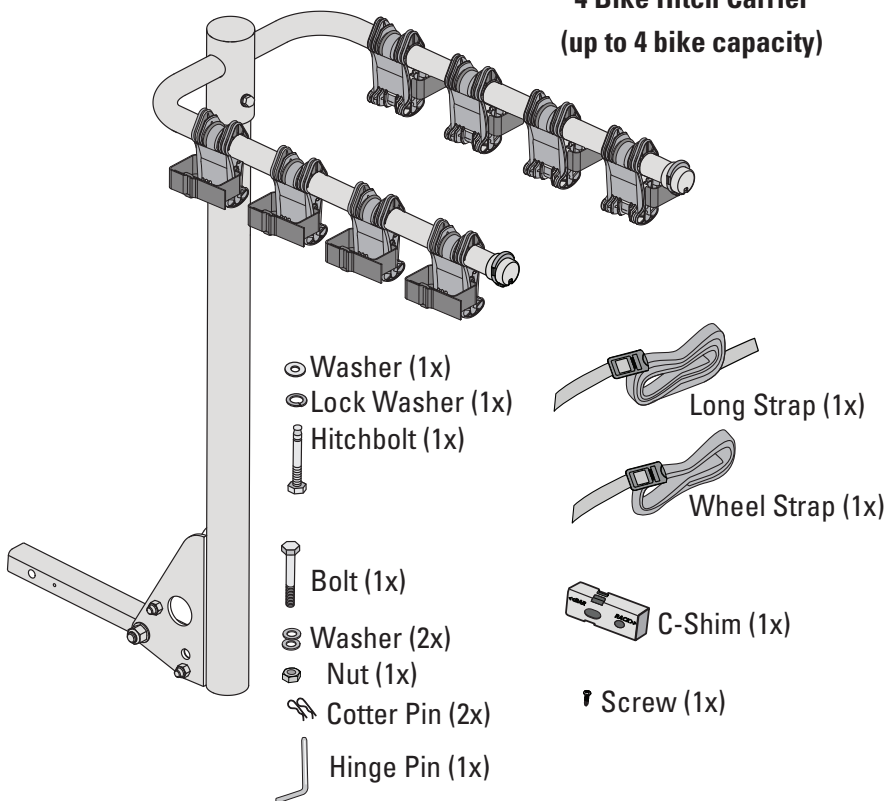


4 Bike Hitch Carrier (up to 4 bike capacity)

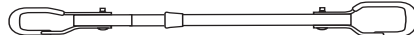
RECOMMENDED TOOLS:

(Tools not included.)

- 2 adjustable-end wrenches
- Phillips screwdriver



Purchase separately:
 A Bike Frame Adapter is required for step through/ladies frames or bikes with slanted top tubes.



HITCH NOTICE:

Some undersized receivers may not accept this product. A potential weak link is the hitch receiver and the structure on which it is Racked. Heavy bikes or off-road driving could result in damage to the hitch receiver.

If you do not know the capabilities of your hitch receiver, seek a professional to assess your receiver and its load rating.

CAUTION

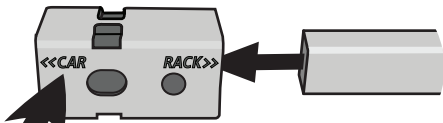
- Never drive off-road with bicycles loaded.
- Bikes must be secured to the carrier frame, using the long strap provided.
- Reducing speed on corners or rough roads will reduce the risk of damage to bikes or vehicle.
- Do not lower carrier with bikes loaded.
- Do not let bicycle tyres or straps hang near vehicle's hot exhaust.
- Load is limited to 4 bikes or 56 kg (125 lbs).



IMPORTANT WARNING

IT IS CRITICAL THAT ALL PRORACK RACKS AND ACCESSORIES BE PROPERLY AND SECURELY ATTACHED TO YOUR VEHICLE. IMPROPER ATTACHMENT COULD RESULT IN AN AUTOMOBILE ACCIDENT, AND COULD CAUSE SERIOUS BODILY INJURY OR DEATH TO YOU OR TO OTHERS. YOU ARE RESPONSIBLE FOR SECURING THE RACKS AND ACCESSORIES TO YOUR CAR, CHECKING THE ATTACHMENTS PRIOR TO USE, AND PERIODICALLY INSPECTING THE PRODUCTS FOR ADJUSTMENT, WEAR, AND DAMAGE. THEREFORE, YOU MUST READ AND UNDERSTAND ALL OF THE INSTRUCTIONS AND CAUTIONS SUPPLIED WITH YOUR PRORACK PRODUCT PRIOR TO INSTALLATION OR USE. IF YOU DO NOT UNDERSTAND ALL OF THE INSTRUCTIONS AND CAUTIONS, OR IF YOU HAVE NO MECHANICAL EXPERIENCE AND ARE NOT THOROUGHLY FAMILIAR WITH THE INSTALLATION PROCEDURES, YOU SHOULD HAVE THE PRODUCT INSTALLED BY A PROFESSIONAL INSTALLER SUCH AS A QUALIFIED GARAGE OR AUTO BODY SHOP.

1 You must use the C-Shim to install carrier to a 50mm (2") hitch receiver. 32mm (1-1/4") hitches do not require the shim.

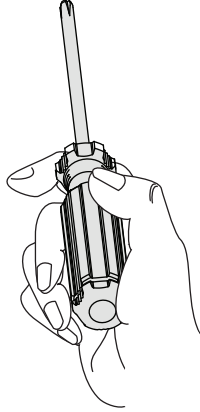


- Slide the shim onto the carrier base.

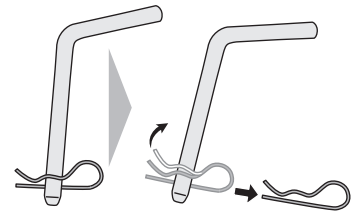


The shim must be installed as shown, with "CAR" pointing toward the vehicle, inserted into the vehicle's hitch receiver.

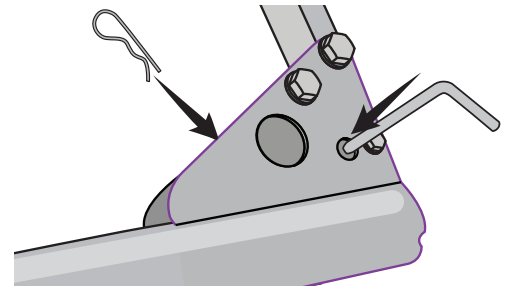
- Using a screwdriver, install the screw to keep the shim in place.



2 Remove the cotter pin from the hinge pin.

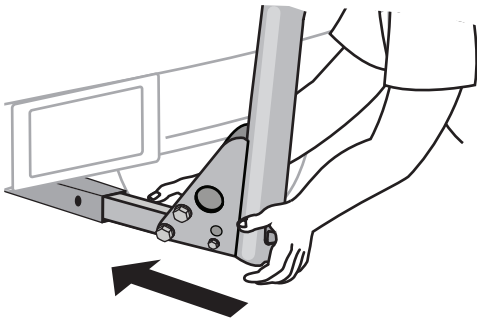


- Insert the hinge pin in the carrier's base.
- Attach the cotter pin again.



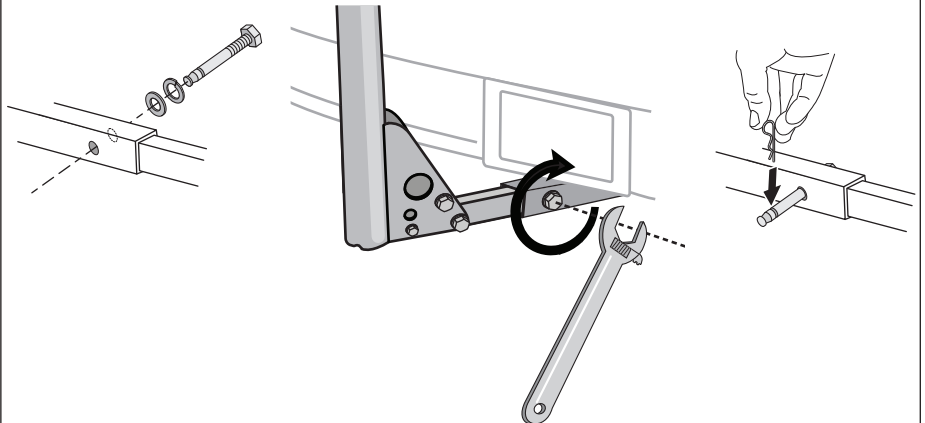
3

Install the carrier to the hitch.



4

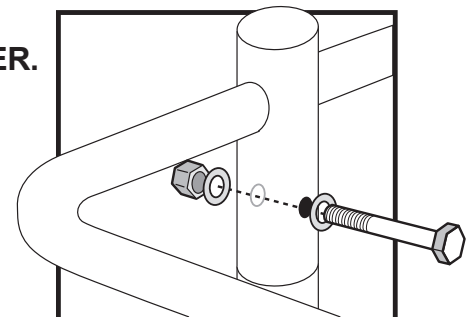
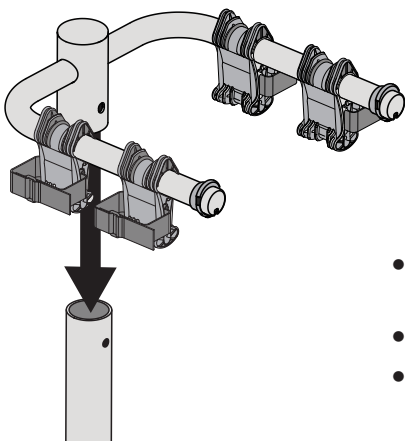
- Install bolt, lock-washer, and washer from right side of receiver.
- Tighten with adjustable wrench 30Nm - 35Nm (22 to 26 ft-lbs).
- Install safety pin.



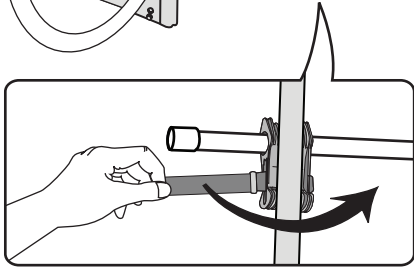
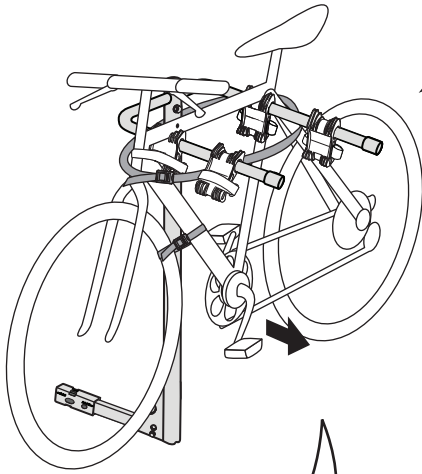
5

ASSEMBLE THE CARRIER.

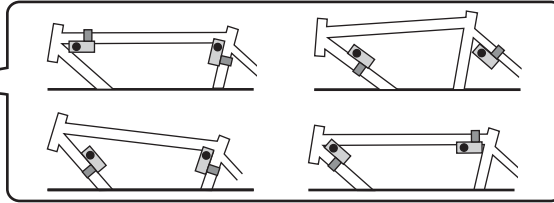
- Slide the support arms assembly onto the main support tube.
- Secure with bolt, washers and nut.
- Tighten completely 20Nm - 27Nm (15-20 ft lbs).



6 LOAD HEAVIEST BIKE FIRST, CLOSEST TO THE VEHICLE. SECURE BIKES.



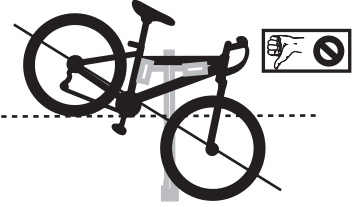
CLOSE STRAPS OVER BIKE FRAMES.



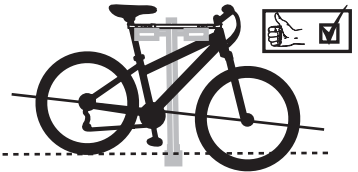
The frame can be stabilised in any number of ways.

- Use Wheel Strap to secure rear bike's front wheel to its frame.
- Use Long Strap to secure bikes to frame of bike carrier.
- Secure loose strap ends of both straps.
- Load any remaining bikes.
- Alternate direction of bikes to avoid interference.

A Bike Frame Adapter (see cover page) is required for step through/ ladies frames or bikes with slanted top tubes.



Failure to load bikes properly can result in property damage, personal injury, or death.



Bikes should be as level as possible to avoid ground clearance issues and possible ejections.

SAFETY CHECKS



- Attachment hardware can loosen over time; periodically tighten all hardware.
- Tighten with each new load.
- Keep bicycle tyres and straps away from vehicle's exhaust.
- Never drive off-road with bicycles loaded.

Before driving away, be sure all hardware is secured according to instructions. Failure to perform safety checks before driving away can result in property damage, personal injury, or death.

IF YOU NEED FURTHER CUSTOMER SUPPORT:

Please contact your dealer or call us at 1800 143 548 (AU) & 0800 4776 722 (NZ) Monday – Friday, 8.30 am to 5:00 pm

THREE YEAR WARRANTY

LIMITED WARRANTY: Prorack Products ("Prorack") will repair or replace merchandise which proves defective in materials and/or workmanship. The limited warranty is effective for three years from the date of purchase.

The limited warranty is applicable only if the instructions are followed and the products are used properly. If a customer believes that a Prorack product is defective, the customer must return it to an authorised Prorack dealer with proof of purchase. Prorack will then issue authorisation to the dealer for the return of these products. If an article is found to be defective upon inspection by Prorack, Prorack will repair or replace the defective article at its discretion without charge. The customer will pay freight to Prorack, and Prorack will pay any applicable return freight. Unauthorised returns will not be accepted. Normal wear and tear of Prorack products or damage resulting from misuse, accidents, or alterations are not covered by this Limited Warranty. The purchaser acknowledges that Prorack has no control over the attachment of its products to vehicles or the attachment of items to the Prorack products. Accordingly, Prorack cannot assume responsibility for any damage to any property arising out of the improper attachment or use of its products. In addition, this Limited Warranty is not transferable and applies only to Prorack products and not to other products used in conjunction with Prorack products. This Limited Warranty is in lieu of all other warranties, expressed or implied, and does not cover consequential damages of any kind that may arise from the use or misuse of any Prorack product.

WARRANTY & DISCLAIMER

**Yakima Australia Pty Ltd ABN 58 154 440 221
17 Hinkler Court, Brendale QLD 4500**

Tel: 0800 4776 722 (NZ) or 1800 143 548 (AU) Email: warranty@yakima.co.nz or warranty@yakima.com.au

1. Where the product is supplied to the customer for other than business purposes within the meaning of section 43 of the New Zealand Consumer Guarantees Act 1993, the provisions of that Act shall apply. It is important that anyone who fits or uses this product does so in accordance with the manufacturer's instructions.
2. Where the product is supplied to the customer for business purposes within the meaning of section 43 of the New Zealand Consumer Guarantees Act 1993, the provisions of that Act and all other representations or terms (including any conditions or warranty expressed or implied by law, statute or otherwise) not expressly included in this leaflet are hereby expressly excluded shall have no effect and the clauses (a) and (b) shall apply.
3. Subject to the Additional Information (Australia), where the product is supplied and purchased in Australia, the following shall apply:
 - (a). THE SUPPLIER WARRANTS the product to be free from defects in materials and/or workmanship for a period of three (3) years from the date of original purchase (the warranty period). Proof of purchase is required. Subject to the limitations and exclusions set out below, the Supplier hereby agrees to remedy any defects in materials or workmanship becoming apparent during the warranty period, by replacing or repairing any defective product or component (at its option) free of charge to the purchaser in respect of replacement parts or labour. Any defective product or component must be notified and where practicable, returned at the purchaser's expense to the Supplier immediately upon discovery of the alleged defect and no attempt made on the part of the purchaser to repair it.
 - (b). EXCEPTIONS, EXCLUSIONS AND LIMITATIONS TO WARRANTY. The product and/or its components must be fitted/assembled and loaded in accordance with the Supplier's written instructions and any requirements set out in the car's owner manual. This warranty does not cover defects, loss or damage resulting from circumstances beyond the Supplier's control including, but not limited to misuse, overloading, or failure to assemble and/or fit the product or component in accordance with the Supplier's written instructions. Nor does the warranty cover defects, loss or damage resulting from accidents, unlawful use of the vehicle or defects/inconsistencies in the vehicle on which the product or component is fitted. Liability for direct, indirect, special, punitive, incidental, exemplary, contractual or consequential damage or loss arising from defects, faulty materials or design omissions or negligence or workmanship in the product or its components is hereby expressly excluded subject to the following. Certain Commonwealth legislation, including the Competition and Consumer Act 2010 (Cth), and other State and Territorial legislation confers upon purchasers rights which cannot be excluded from or be restricted or modified by contract. Any conditions, guarantees and/or warranties implied by law and incapable of exclusion are deemed to be expressly incorporated herein. Nothing herein contained is intended nor shall be permitted to be inconsistent with any such conditions, guarantees and/or warranties. To the extent permitted by legislation all conditions, guarantees and/or warranties such as implied warranties which are capable of exclusion are hereby expressly excluded and negated.

ADDITIONAL INFORMATION (AUSTRALIA)

This information should be read in conjunction with clauses (a) and (b).

IMPORTANT LEGAL NOTICE

Our goods come with guarantees that cannot be excluded under the Australian Consumer Law. You are entitled to a replacement or refund for a major failure and for compensation for any other reasonably foreseeable loss or damage. You are also entitled to have the goods repaired or replaced if the goods fail to be of acceptable quality and the failure does not amount to a major failure.

This warranty does not change or take away your rights under the Australian Consumer Law. Your right to claim under this policy for the benefits covered is in addition to other rights and remedies you have under the law in relation to the product.

Where you become aware of defects in materials or of workmanship, and wish to make a claim under this warranty you must do the following for the warranty to be honoured by your Prorack dealer or Yakima Australia Pty Ltd ABN 58 154 440 221 (Yakima):

1. Make a claim as soon as practicable by contacting the Prorack dealer from whom you purchased the product, who will give you instructions on how to proceed.
2. If you are unable to contact the Prorack dealer, or the dealer is not able to remedy the defect, you should contact Yakima as soon as practicable at:

Call: 0800 4776 722 (NZ) or 1800 143 548 (AU)
Email: warranty@yakima.co.nz or warranty@yakima.com.au

Alternately, you can write to Yakima at 17 Hinkler Court, Brendale QLD Australia 4500 in order to make a claim under your warranty.

3. Upon contacting Yakima directly, you should explain as fully as possible the defect. A Yakima representative will provide you with appropriate instructions for returning the product together with a copy of the original purchase invoice or receipt to Yakima.
4. The costs and expenses associated with making a claim under your warranty including the costs of complying with those instructions and of returning the product to Yakima or the Prorack dealer will be borne by you. Following receipt of the product and purchase invoice or receipt, Yakima or the Prorack dealer must inspect the product to determine whether the claim falls within the warranty. If:
 - 4.1 the claim falls within the warranty, Yakima will remedy any defects in materials or workmanship becoming apparent during the warranty period, by replacing or repairing any defective product or component (at its option) free of charge to the purchaser in respect of replacement parts or labour.
 - 4.2 the claim does not fall within the warranty, Yakima will return the product to you at your expense.