



Universal Soft Rack

First Time Installation

- Please read instructions carefully before installation.
- Check the contents of kit. Contact your Prorack dealer if any parts appear to be missing or damaged.
- Clean your vehicle roof prior to fitting the Universal Soft Rack.

Important Warning

- Be aware that water ingress into vehicle is possible through the straps.
- It is critical that all Prorack racks and accessories be properly and securely attached to your vehicle. Improper attachment could result in an automobile accident, and could cause serious bodily injury or death to you or to others.
- You are responsible for securing the racks and accessories to your car, checking the attachments prior to use, and periodically inspecting the products for adjustment, wear, and damage.
- If you do not understand all of the instructions and cautions, or if you have no mechanical experience and are not thoroughly familiar with the installation procedures, you should have the product installed by a professional installer such as a roof rack specialist.
- Disintegration of material is possible if exposed to sunlight for long periods of time. It is recommended to remove the product when not in use.

Vehicle Fit Restrictions

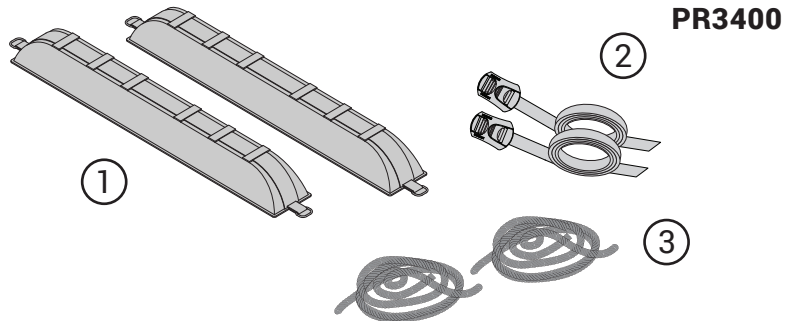
- Does not work on vehicles with sliding, falcon, or gull-wing style doors.
- Not for use on panoramic glass-roofed vehicles.
- Do not set Universal Soft Racks directly on sun/moon roof.
- Do not route straps over side curtain airbag openings.

Load Limits

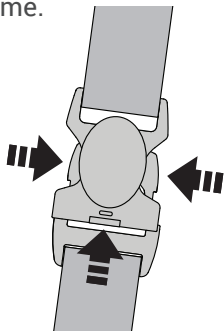
- 36 kg Max weight limit
- 910 mm Max load width
- 4.3 M Max boat length

Kit Contents

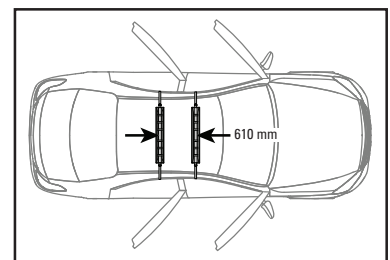
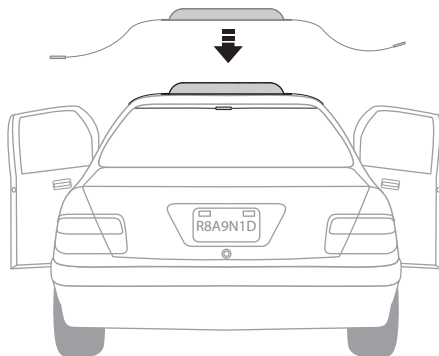
Item	Component	Qty
1	Universal Soft Roof Rack	2
2	Heavy Duty Strap	2
3	Rope	2



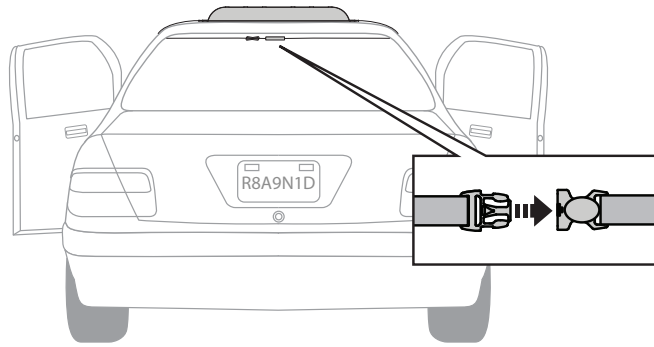
1 Open the buckle by pressing the side buttons, and the safety button at the same time.



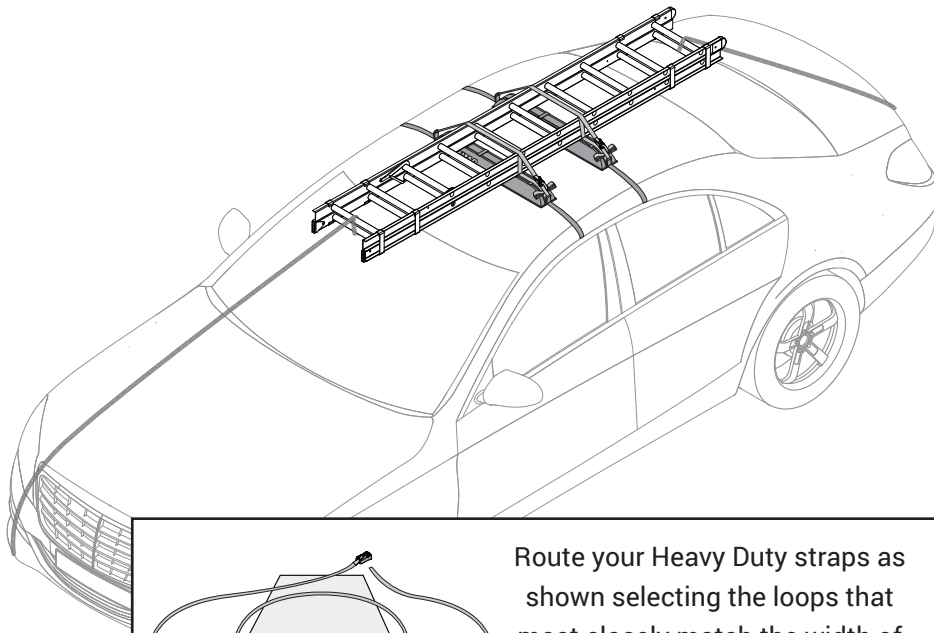
2 With your doors open place Universal Soft Racks on your vehicle. Space them a minimum of 610 mm apart.



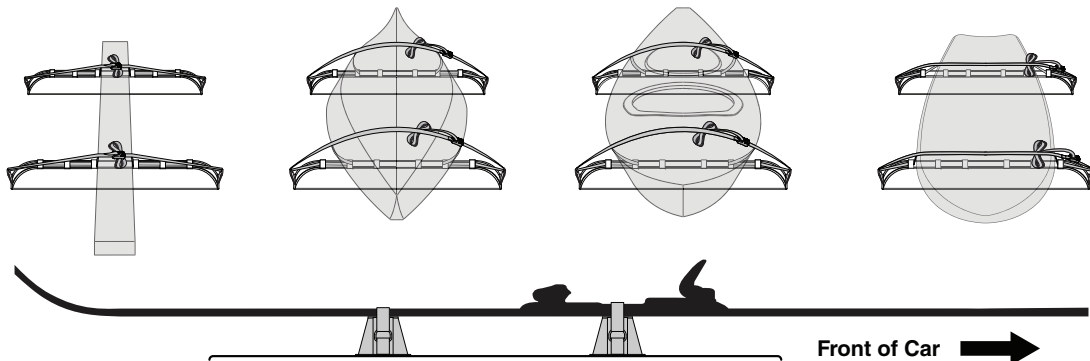
- 3** Route the straps inside the vehicle, and buckle them together. Pull hard to tighten the strap. Secure the loose strap in the built in loop.



- 4**
- Center your load on the Universal Soft Racks.
 - Use the Heavy Duty straps to secure your load.
 - Secure loose strap ends.
 - Use the ropes to tie-down long loads to the front and rear of the vehicle.
 - Once loaded check all straps and re-tighten if necessary.



Route your Heavy Duty straps as shown selecting the loops that most closely match the width of your load. Be sure to route the strap through the end rings.





Prorack
17 Hinkler Court, Brendale
QLD 4500, Australia

Freephone
AU: 1800 143 548 www.prorack.com.au
NZ: 0800 4776 722 www.prorack.co.nz