



Aero Deck install using Aero Deck Crossbar Adapter Kit

Maximum Product Load Rating

- 100 kg for Aero Deck 1300 mm Wide x 1300 mm Long
- 100 kg for Aero Deck 1300 mm Wide x 1500 mm Long
- 150 kg for Aero Deck 1300 mm Wide x 2000 mm Long

Important Warning

- LOAD = WEIGHT OF PLATFORM or BARS + MOUNTING SYSTEM + ACCESSORIES + CARGO
- PLEASE REFER TO VEHICLE MANUFACTURER SPECIFICATIONS FOR MAX ROOF LOAD CAPACITY OF VEHICLE. THE LOWEST LOAD RATING APPLIES.
- OFFROAD RATING: SCAN QR CODE FOR PRORACK LOAD RATING GUIDE. REDUCTIONS MAY APPLY.

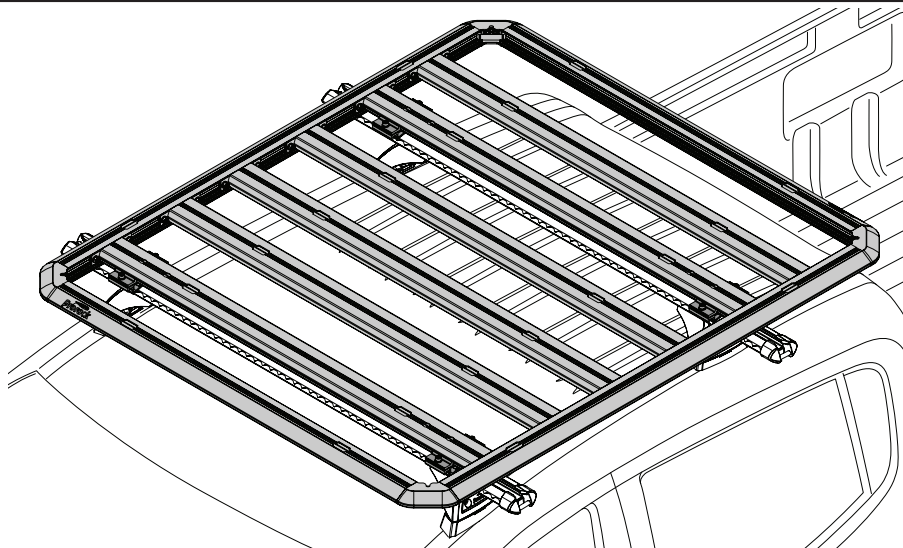
First Time Installation

- Please read instructions carefully or scan QR code for video instructions before installation.
- For the purpose of safety installation must conform to the requirements set out in this document.
- Please contact Prorack customer service if you are in doubt about this product's fitment being suitable to your particular application.
- Check the contents of kit. Contact your Prorack dealer if any parts appear missing or damaged.
- Clean your vehicle crossbars prior to fitting the Aero Deck Crossbar Adapter Kit and Aero Deck.
- Use caution when handling Aero Deck components as sharp edges may be present.
- Images throughout show the Aero Deck 1300 mm Wide x 1500 mm Long.
- Please note other Aero Deck sizes will have differing amounts of slats and hardware.
- Hand tools only to be used in the assembly. The use of power tools may damage the product.
- Place these instructions in the vehicle's glove box after installation is complete.



Tools Required

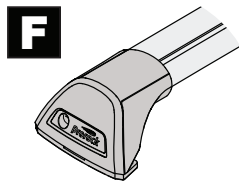
- 13 mm Socket Wrench (supplied with Aero Deck)
- 4 mm Ball End Allen Key (supplied with Aero Deck)
- 6 mm Allen Key (supplied with Aero Deck Crossbar Adapter Kit)
- 13 mm deep Socket Wrench (required for Aero Bars and some thin flange bars)
- Torque Wrench
- Tape Measure



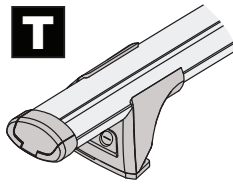
NOTE - PR3702 Aero Deck 1300 mm Wide x 1500 mm shown.

Kits Required For Installation

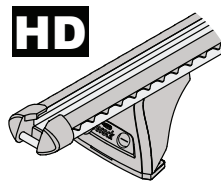
- The Aero Deck Crossbar Adapter Kit requires a set of roof racks preinstalled to a vehicle before fitment. This product works best with Prorack Aero Flush, Aero Through, Heavy Duty and Rail Bars.



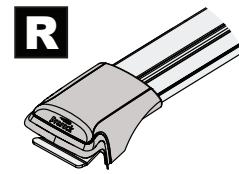
Aero Flush Bar (F)



Aero Through Bar (T)

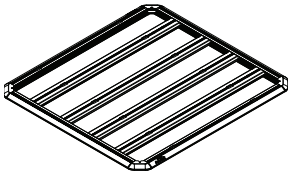


Heavy Duty Bar (HD)



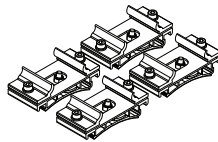
Rail Bar (R)

PR3701 Aero Deck
1300 mm Wide x 1300 mm Long



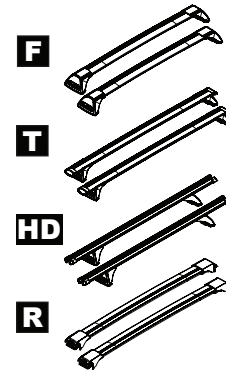
+

PR3712 – Aero Deck Crossbar Bar Adapter Kit
(4 Pack)

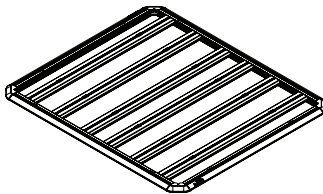


+

Preinstalled roof rack
(2 bar)

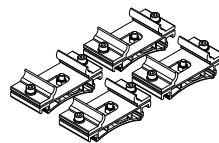


PR3702 Aero Deck
1300 mm Wide x 1500 mm Long



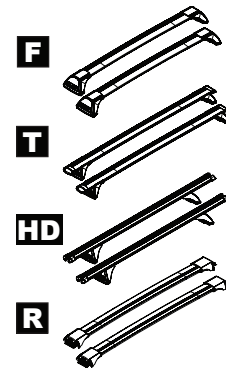
+

PR3712 – Aero Deck Crossbar Bar Adapter Kit
(4 Pack)

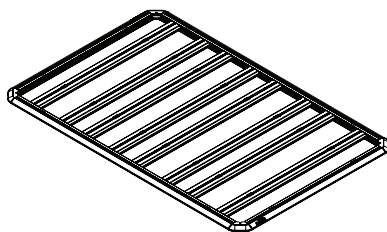


+

Preinstalled roof rack
(2 bar)

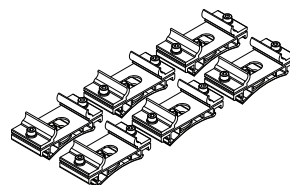


PR3703 Aero Deck
1300 mm Wide x 2000 mm Long



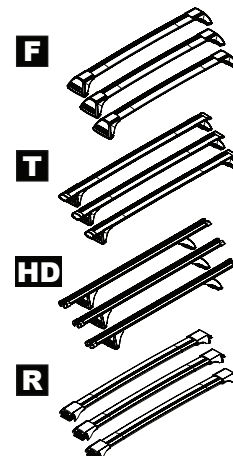
+

PR3713 – Aero Deck Crossbar Bar Adapter Kit
(6 Pack)



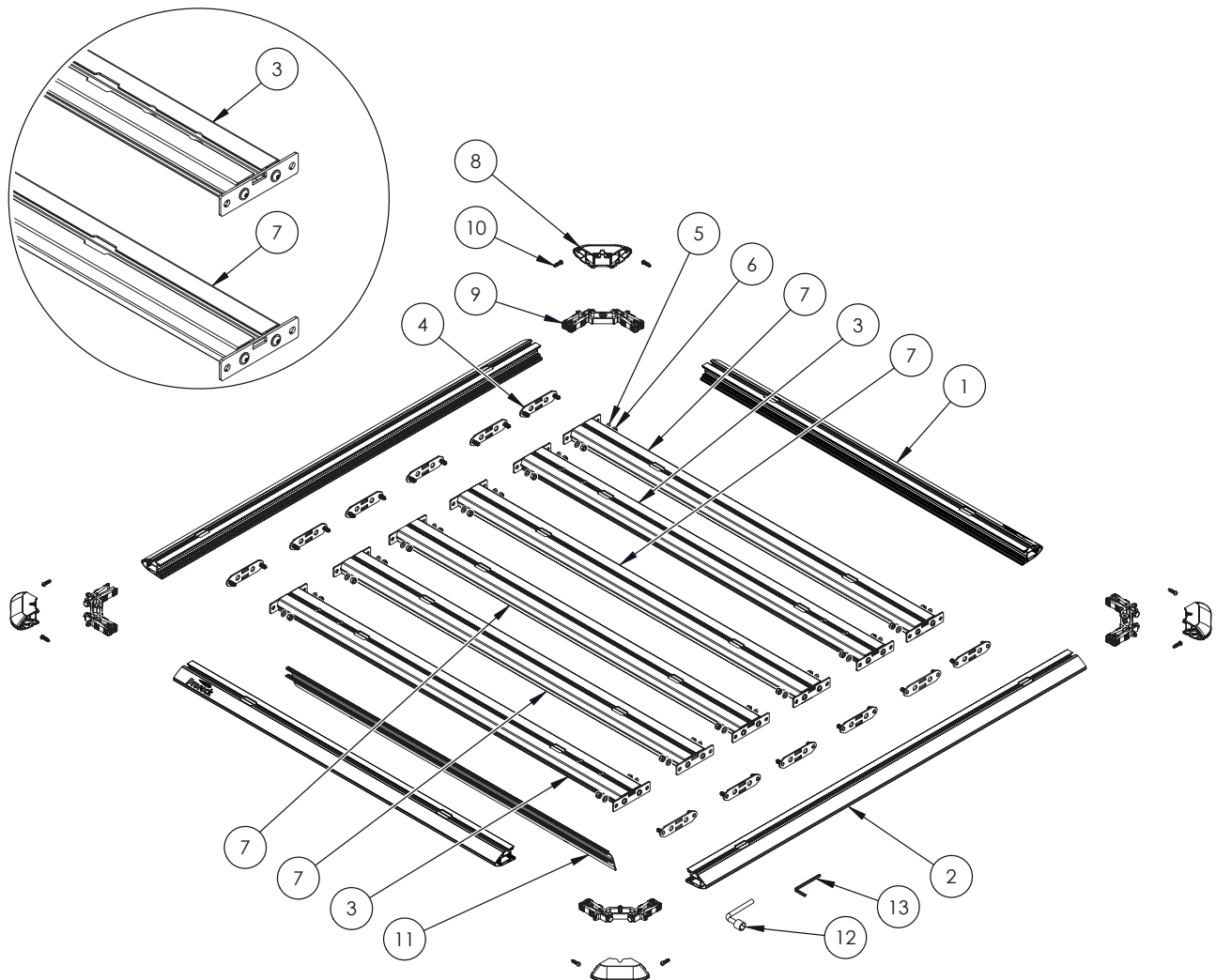
+

Preinstalled roof rack
(3 bar)



Aero Deck Kit Contents

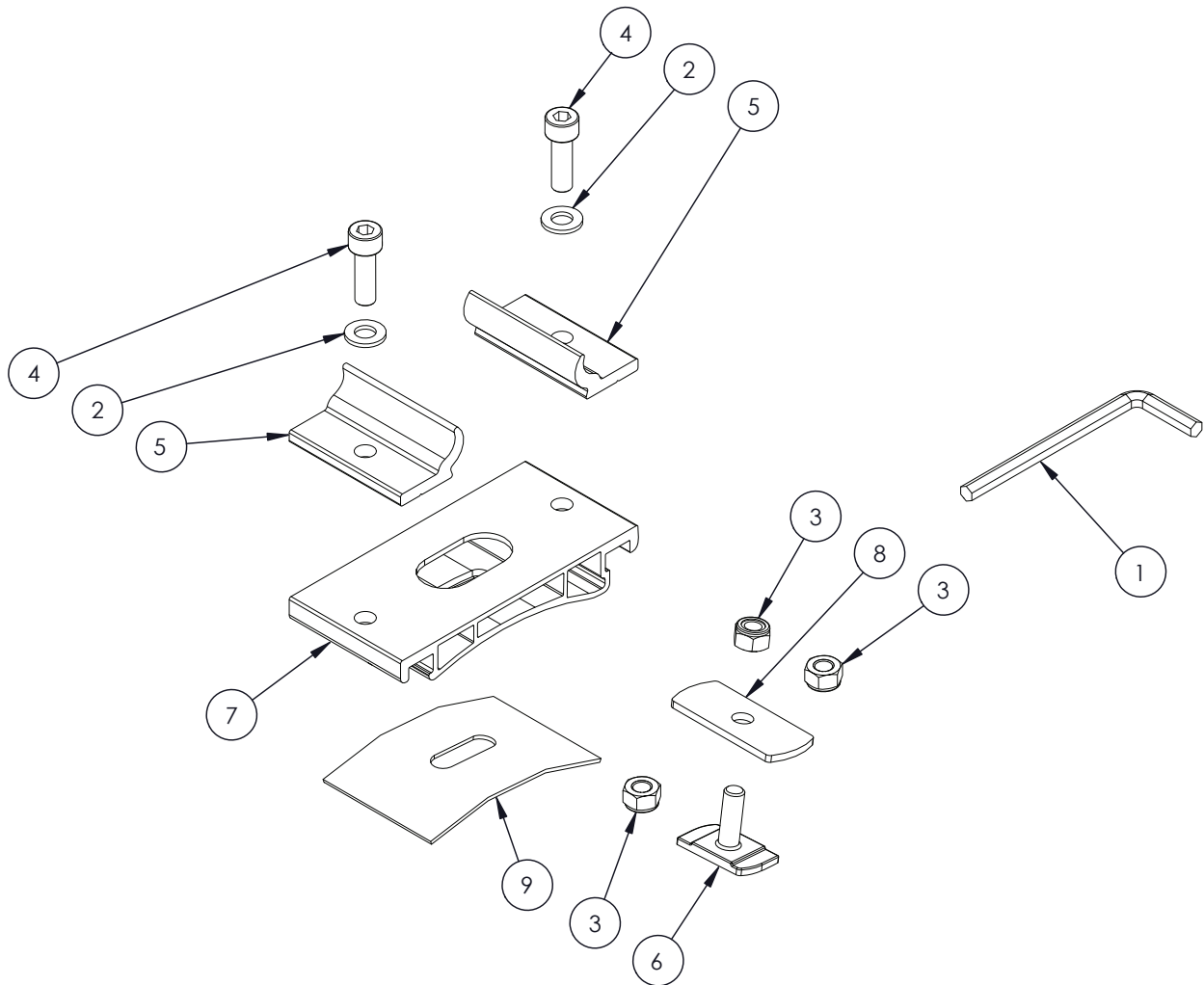
Item	Component	(PR3701) Aero Deck 1300 mm Wide x 1300 mm Long	(PR3702) Aero Deck 1300 mm Wide x 1500 mm Long	(PR3703) Aero Deck 1300 mm Wide x 2000 mm Long
1.	Front / Rear Perimeter Beam (Prorack logo)	x2	x2	x2
2.	Side Perimeter Beam	x2	x2	x2
3.	Mounting Slat	x2	x2	x3
4.	Slat Clamping Plate	x8	x12	x16
5.	M8 Washer	x16	x24	x32
6.	M8 x 1.25 Nyloc Nut	x16	x24	x32
7.	Standard Slat	x2	x4	x5
8.	Corner Cover	x4	x4	x4
9.	Corner Bracket Assembly	x4	x4	x4
10.	M6 x 20 mm Long Screw	x8	x8	x8
11.	Aero Deck Wind Deflector	x1	x1	x1
12.	13 mm Socket Wrench	x1	x1	x1
13.	4 mm Allen Key	x1	x1	x1



NOTE - Aero Deck 1300 mm Wide x 1500 mm Long shown.

Aero Deck Crossbar Adapter Kit Contents

Item	Component	(PR3710) Aero Deck Crossbar Adapter Kit (4 pack)	(PR3711) Aero Deck Crossbar Adapter Kit (6 Pack)
1.	6 mm Allen Key	x1	x1
2.	M8 Washer	x8	x12
3.	M8 Nyloc Nut	x12	x18
4.	M8 x 25 mm Socket Head Capcrew	x8	x12
5.	Crossbar Adapter Clamp	x8	x12
6.	M8 Self Aligning T-Bolt	x4	x6
7.	Aero Deck Crossbar Adapter	x4	x6
8.	Crossbar Adapter Washer	x4	x6
9.	Rubber Adhesive Tape	x4	x6

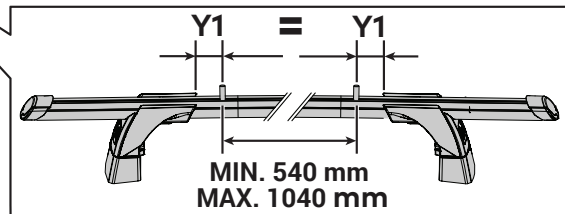
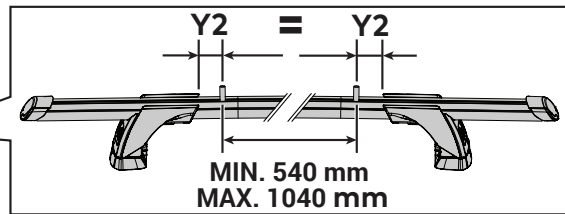
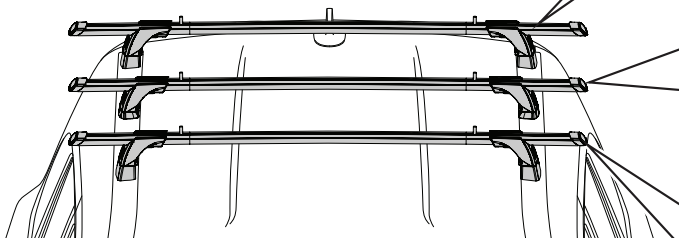
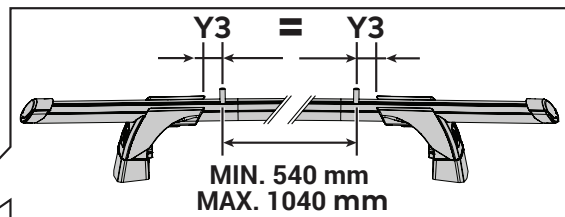
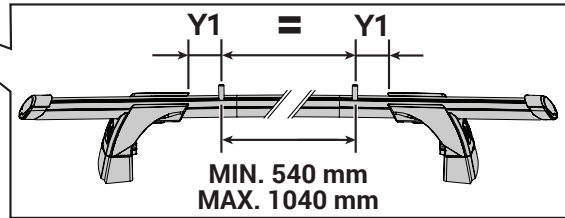
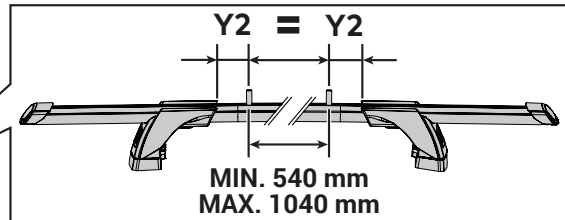
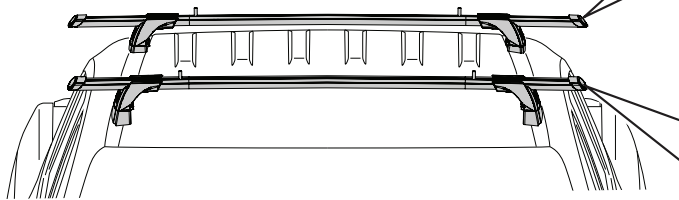
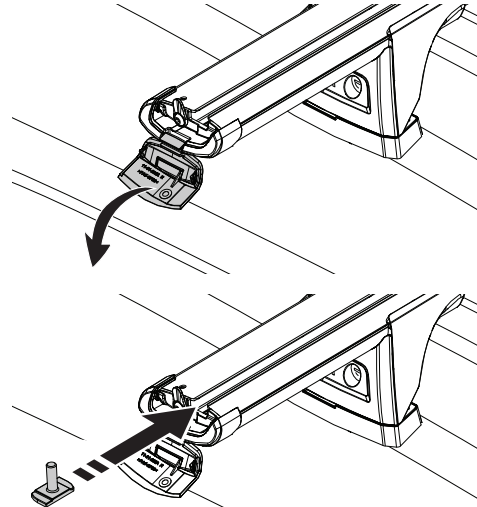
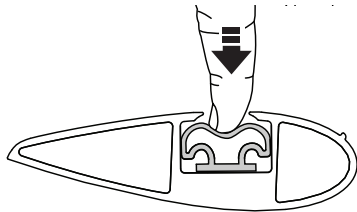


(PR3712) **x4**
(PR3713) **x6**

Aero Deck Crossbar Adapter Kit Installation (Aero Bar or similar 22 mm wide slots)

1 INSTALL T-BOLTS

Install T-Bolt into the T-Channel as near to the inside of the bar leg as practical but no more than 1040 mm apart. Distance must not be greater than 1040 mm otherwise the adapters will not fit onto the platform.



(PR3712) **x4**

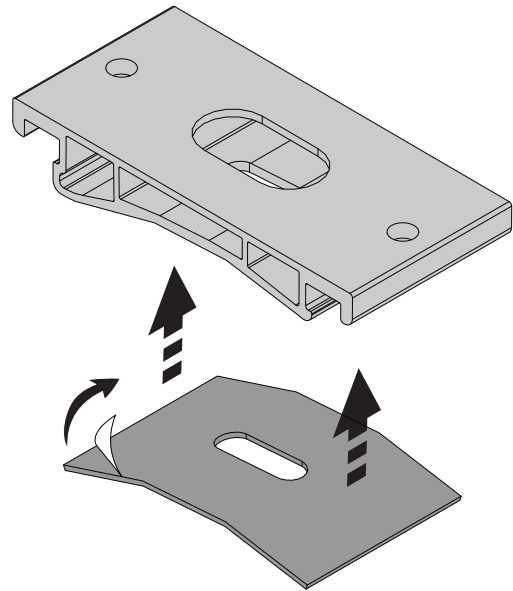
(PR3713) **x6**

2**INSTALL RUBBER ADHESIVE TAPE**

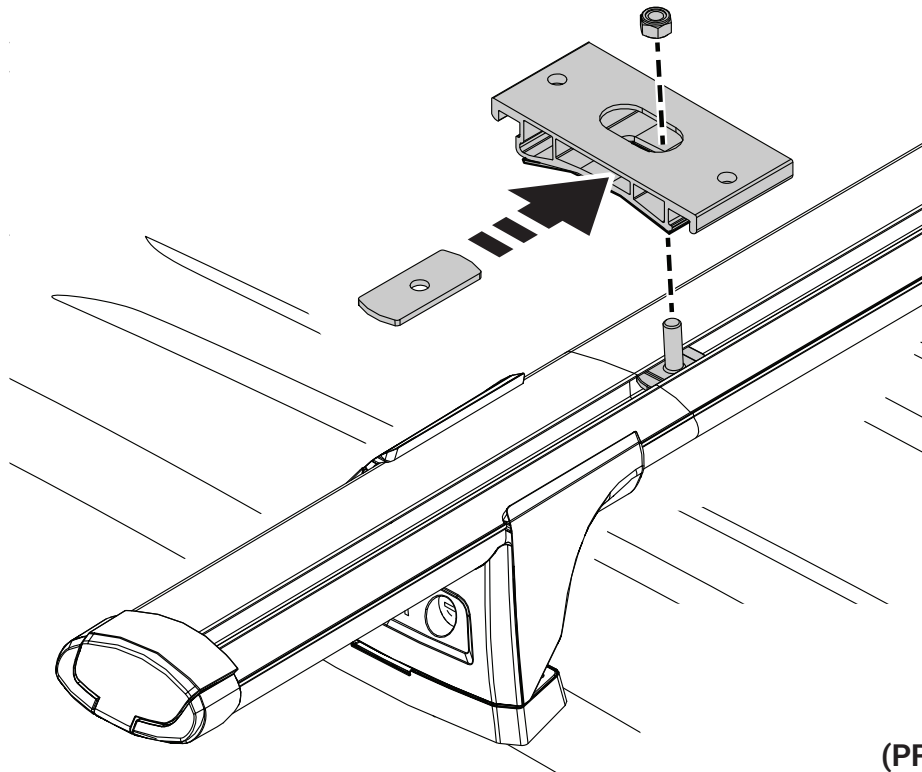
Clean the underside of the Adapter Bracket with isopropyl alcohol or other appropriate cleaning solution where the Rubber Adhesive Tape is to be installed.

Remove the backing tape from the Rubber Adhesive Tape to expose the adhesive. Take care not to touch the adhesive as this may affect adhesion.

Install the Rubber Adhesive Tape to the underside of the Crossbar Adapter Brackets as shown.

**(PR3712) x4****(PR3713) x6****3****INSTALL CROSSBAR ADAPTERS**

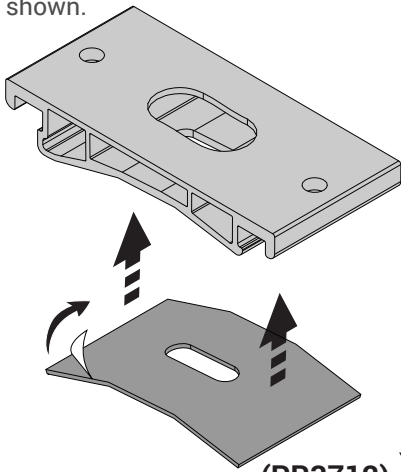
Assemble parts loosely and adjust to ensure the Crossbar Adapter rests evenly on the bar. Proceed to page 10 for adapter alignment.

**(PR3712) x4****(PR3713) x6**

Aero Deck Crossbar Adapter Kit Installation (HD Bars or similar 35 - 37 mm slots)

1 INSTALL RUBBER ADHESIVE TAPE

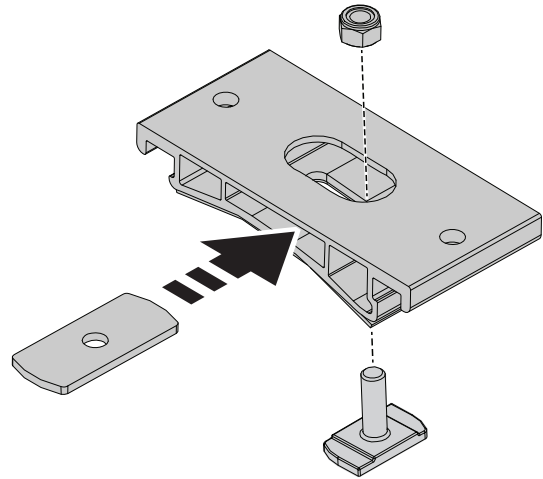
Clean the underside of the Adapter Bracket with isopropyl alcohol or other appropriate cleaning solution where the Rubber Adhesive Tape is to be installed. Remove the backing tape from the Rubber Adhesive Tape to expose the adhesive. Take care not to touch the adhesive as this may affect adhesion. Install the Rubber Adhesive Tape to the underside of the Crossbar Adapter Brackets as shown.



(PR3712) **x4**
(PR3713) **x6**

2 ASSEMBLE CROSS BAR ADAPTERS

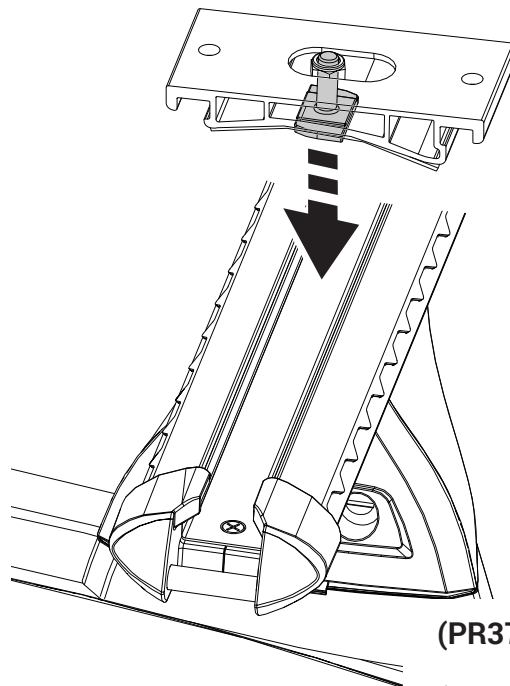
Assemble the T-Bolt, Crossbar Adapter Washer and Nut loosely onto the Crossbar Bar Adapter.



(PR3712) **x4**
(PR3713) **x6**

3 INSTALL CROSSBAR ADAPTERS

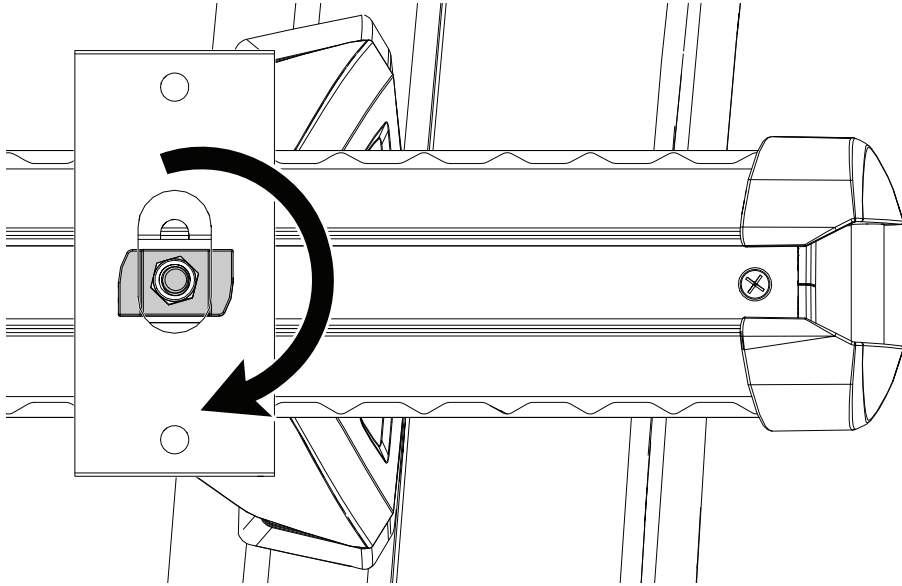
Rest the Crossbar Adapter on the crossbar with the T-Bolt inside the channel.



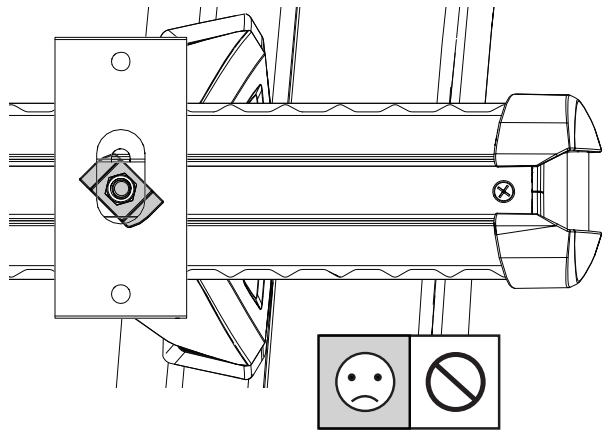
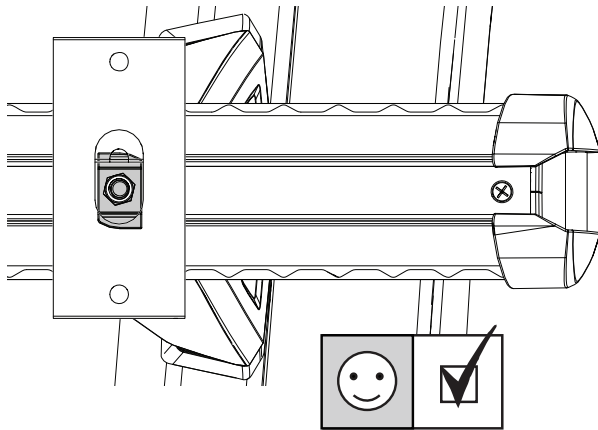
(PR3712) **x4**
(PR3713) **x6**

3 ROTATE T-BOLTS

Rotate the T-Bolt so that it turns 90° inside the channel.



Ensure the T-Bolt is fully turned inside the channel.



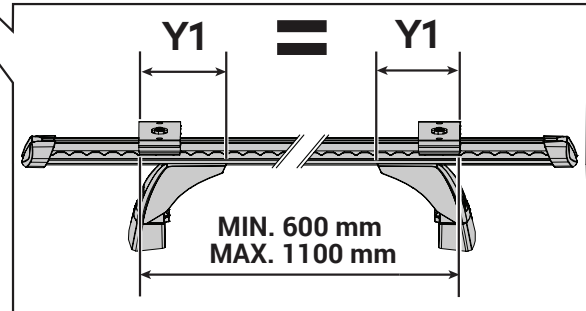
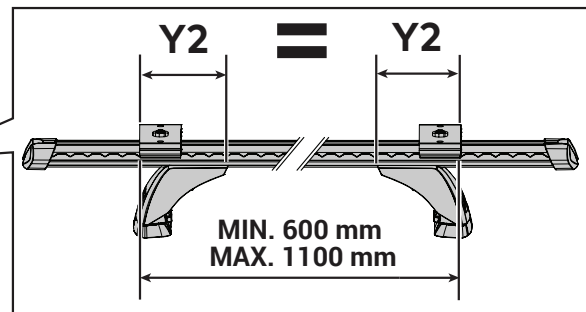
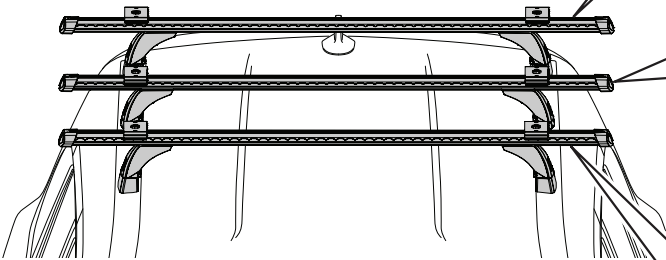
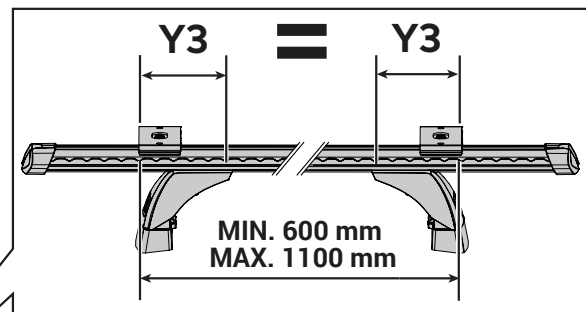
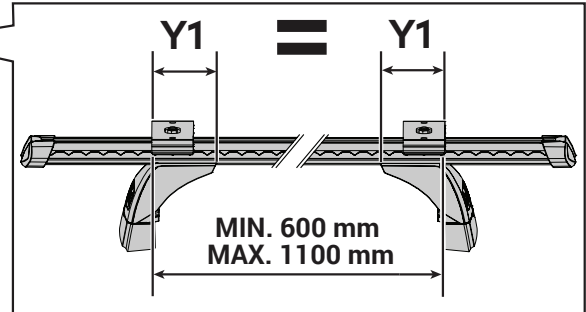
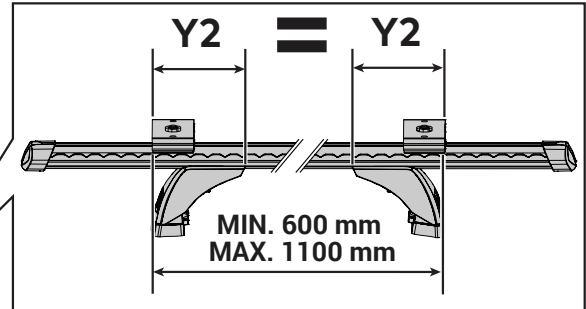
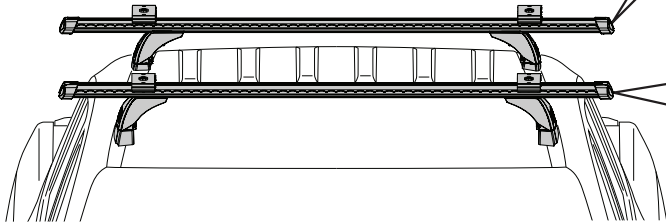
(PR3712) **x4**
(PR3713) **x6**

4

POSITIONING CROSSBAR ADAPTERS

Ensure the Crossbar Adapters are no further than 1100 mm apart. Also ensure that the adapter sits over the leg or if not possible, as close to the leg as possible.

Ensure the bar as positioned evenly from the ends.



(PR3712) **x4**

(PR3713) **x6**

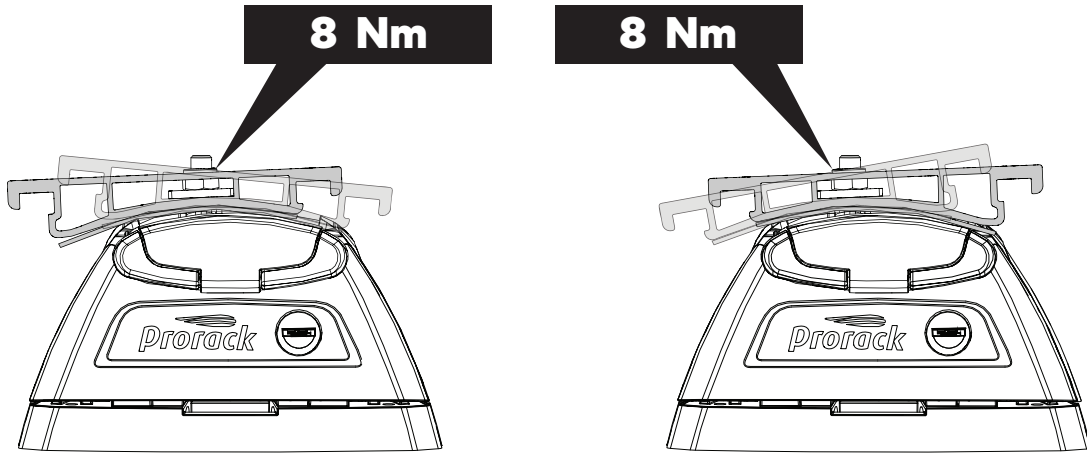
Aero Deck Crossbar Adapter Kit Alignment

1

ALIGN CROSSBAR ADAPTERS

Place a straight edge over the two adapters and ensure they are aligned to each other. It may be required to rotate the adapter if required to allow for it to rest evenly on the bar. Tighten the M8 Nyloc Nuts to 8 Nm.

NOTE - Ensure that Crossbar Adapters fitted to the same bar are orientated in the same direction.



(PR3712) **x4**

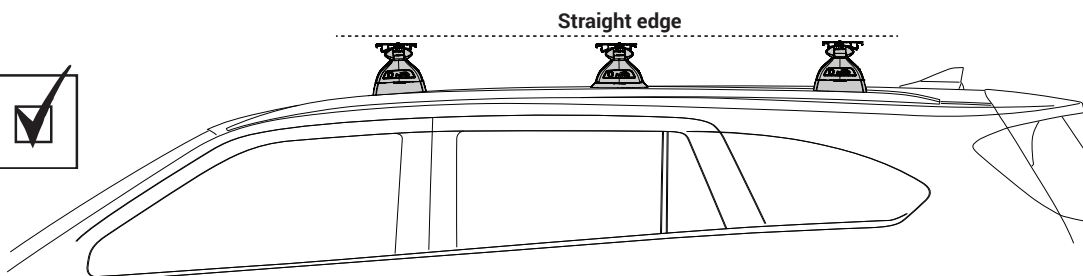
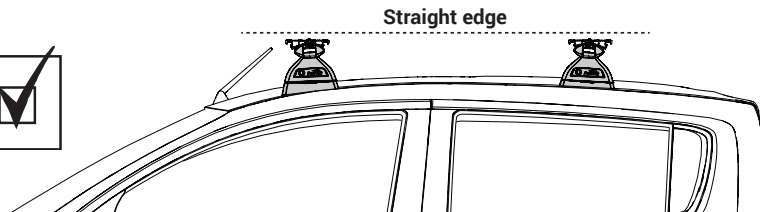
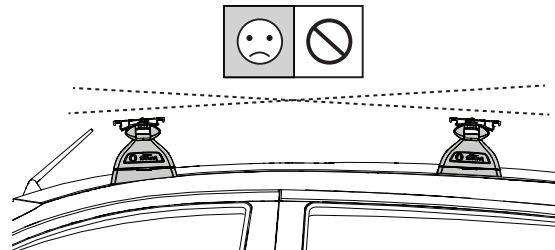
(PR3713) **x6**

2

CHECK ALIGNMENT

Check the two bar adapters are still level to each other after tightening Nyloc Nuts. Loosen nut and readjust if necessary to ensure they are aligned to each other.

Note: One of the platform beams can be used as a straight edge.

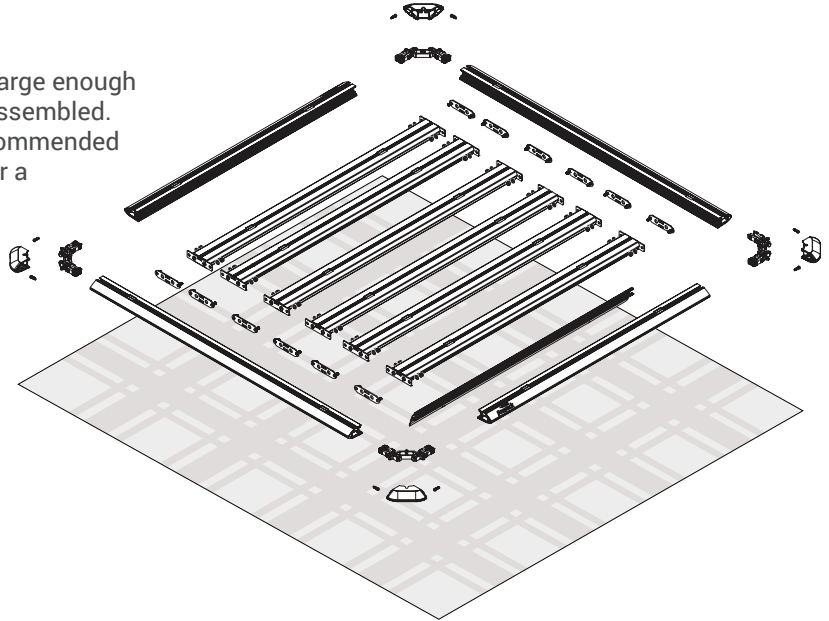


Aero Deck Assembly

1

ASSEMBLY PREPARATION

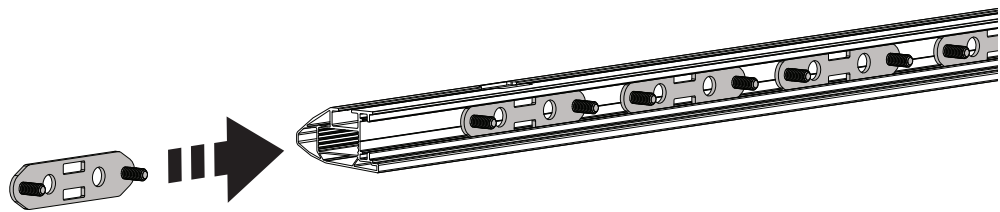
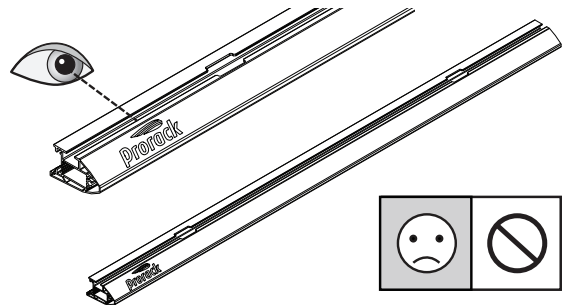
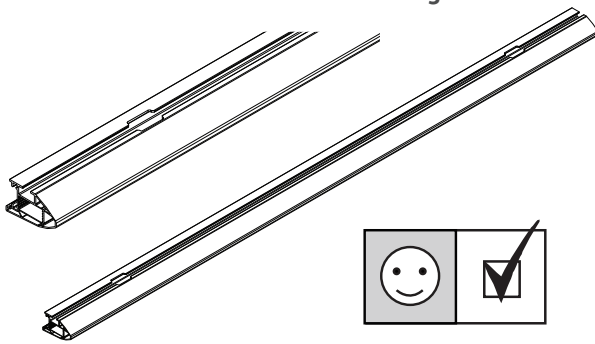
Clear a work area that will be large enough for the Aero Deck when fully assembled. To prevent scratching it is recommended to lay down some cardboard or a blanket over the work area.



2

ASSEMBLE CLAMPING PLATES

Install half of the Slat Clamping Plates into the channel of each of the x2 Side Perimeter Beams. The Side Perimeter Beams are the perimeter beams **without the Prorack logo**.



x2

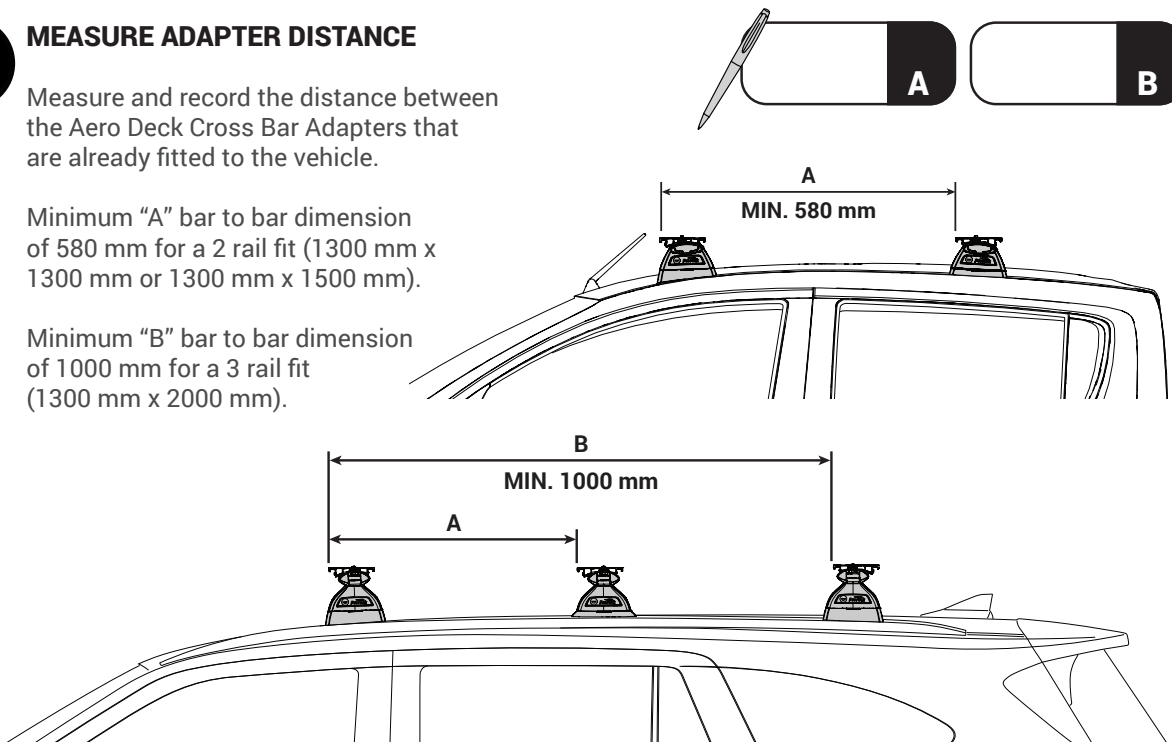
3

MEASURE ADAPTER DISTANCE

Measure and record the distance between the Aero Deck Cross Bar Adapters that are already fitted to the vehicle.

Minimum "A" bar to bar dimension of 580 mm for a 2 rail fit (1300 mm x 1300 mm or 1300 mm x 1500 mm).

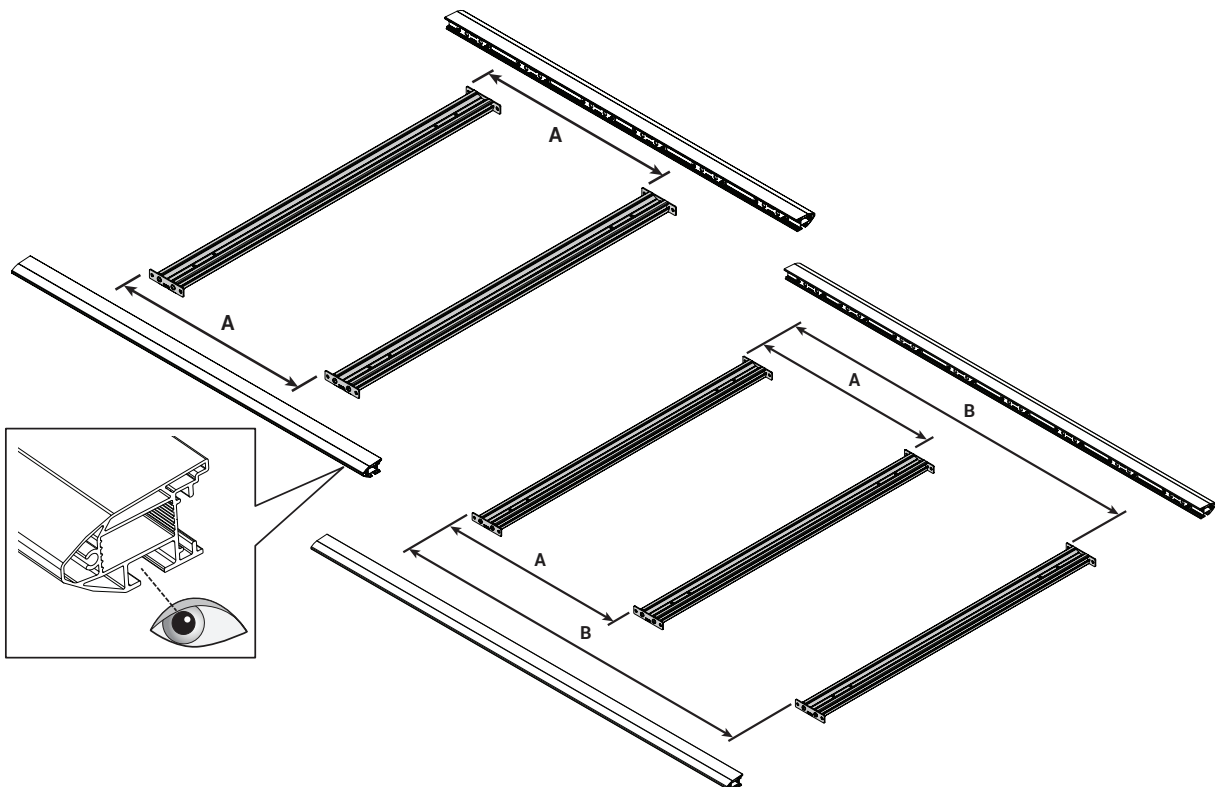
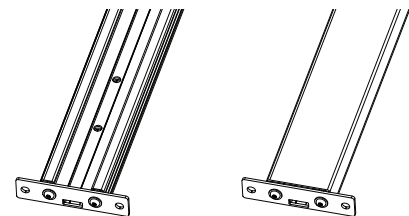
Minimum "B" bar to bar dimension of 1000 mm for a 3 rail fit (1300 mm x 2000 mm).



4

POSITION MOUNTING SLATS

Position the Mounting Slats at the approximate distance apart as measured in the previous step. It is recommended to assemble the Aero Deck upside down for ease of assembly. The slats should be face down with the accessory slots facing the ground.



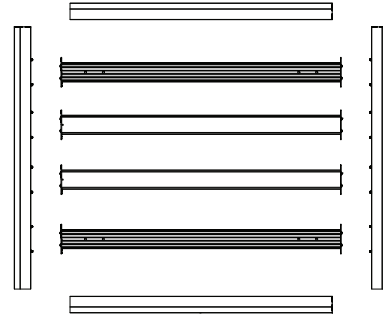
5

POSITION STANDARD SLATS

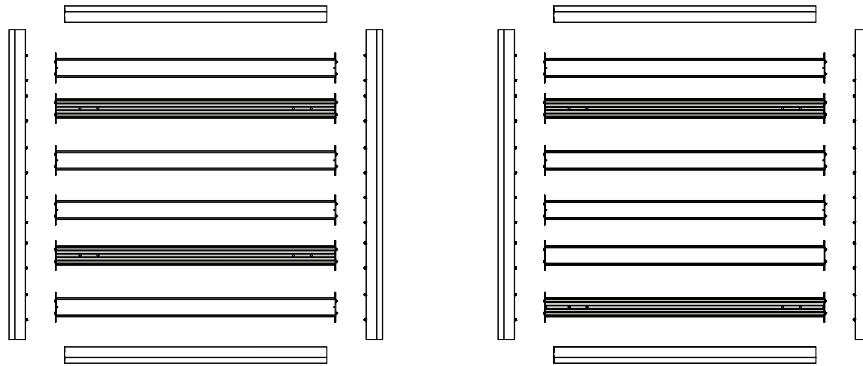
Position the Standard Slats at an approximate even spacing. Position the slats to suit the Aero Deck Crossbar Adapter spacing and the desired position on the vehicle.

Possible layout configurations shown.

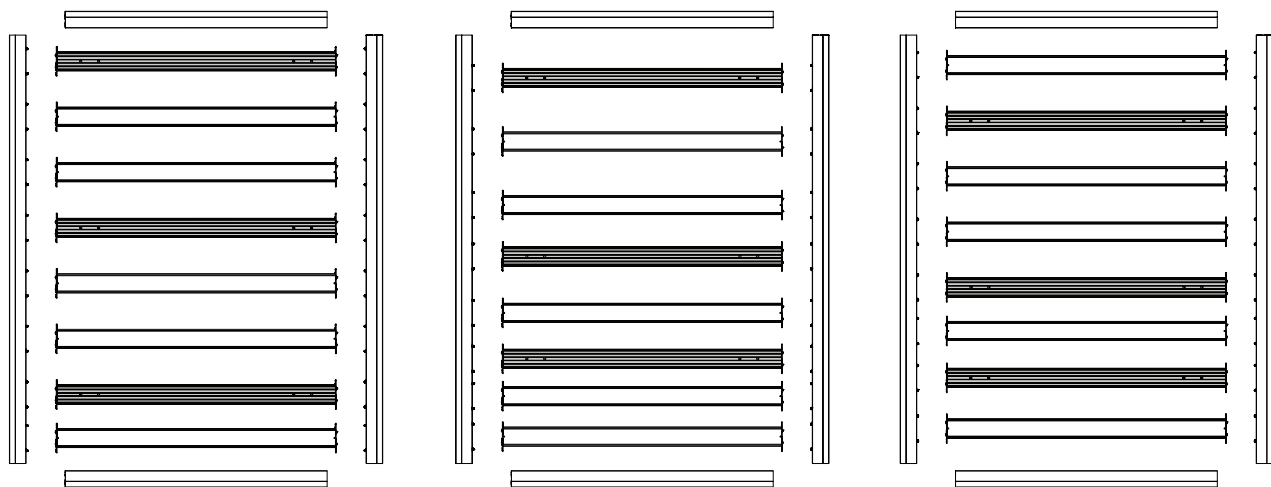
Other layouts are possible, refer to the Step 6 for maximum allowances.



PR3701 Aero Deck 1300 x 1300 mm



PR3702 Aero Deck 1300 x 1500 mm

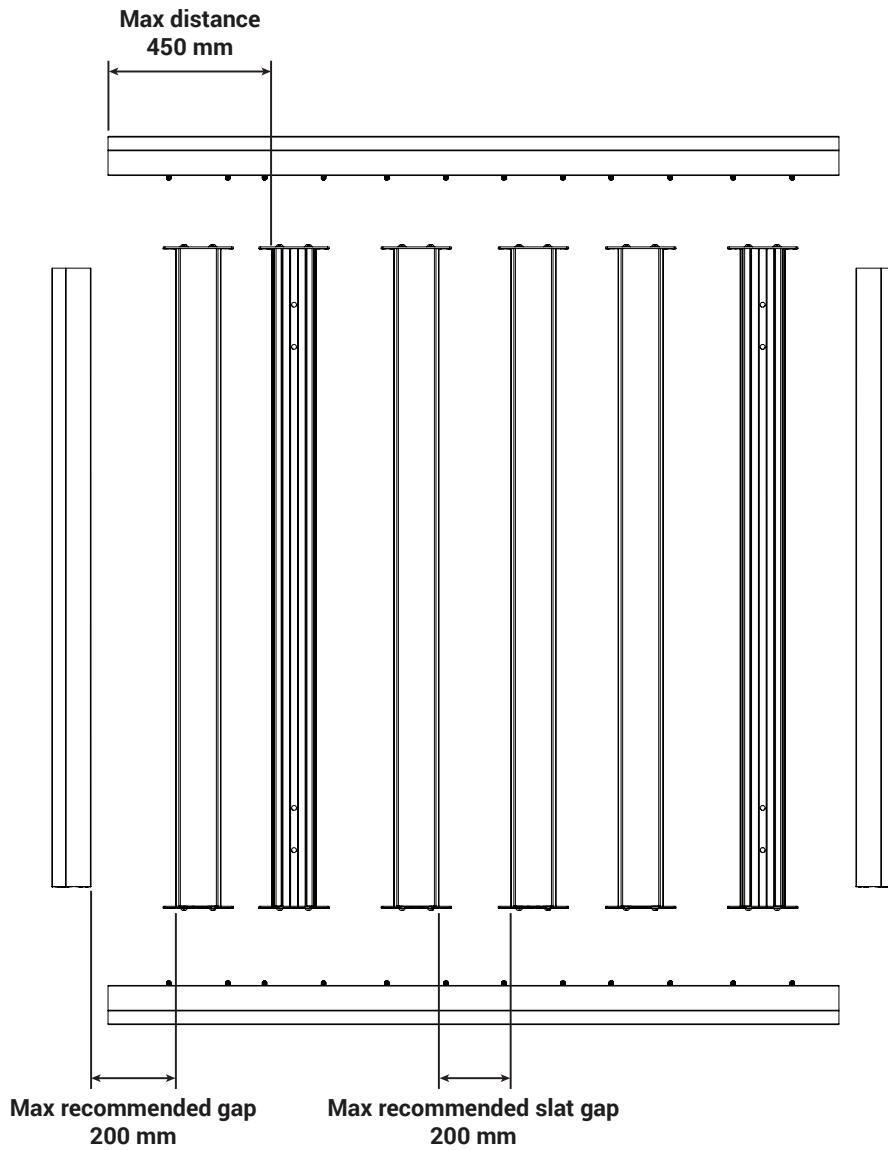


PR3703 Aero Deck 1300 x 2000 mm

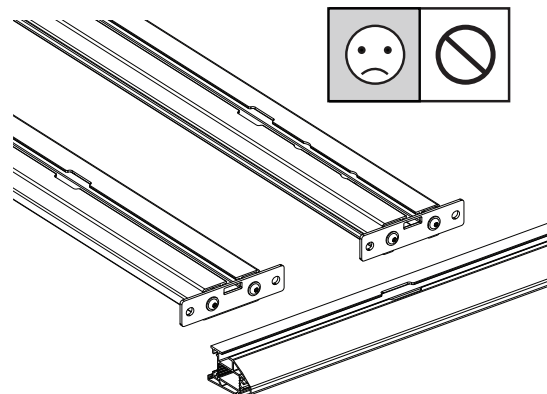
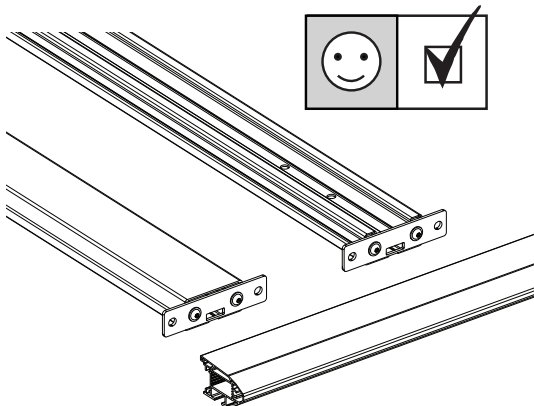
6

CHECK DISTANCES

Check maximum distances.

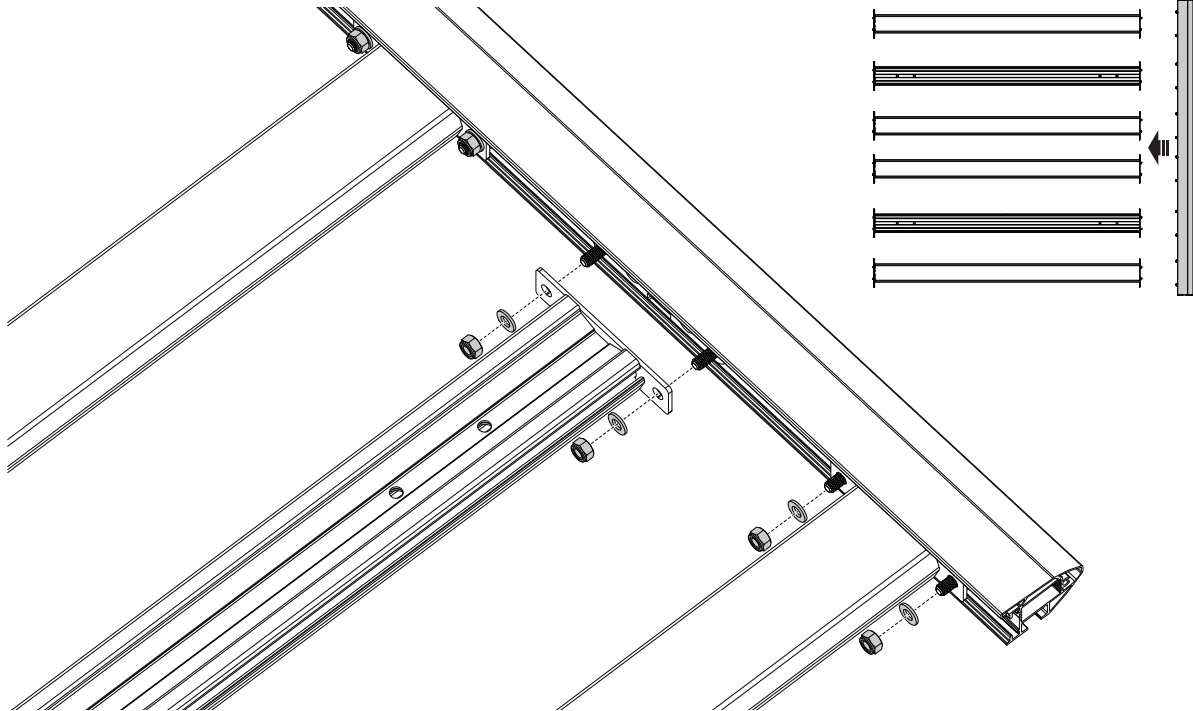


NOTE - It is recommended to assemble the Aero Deck upside down for ease of assembly. The slats should be faced down with the accessory slots facing the ground.



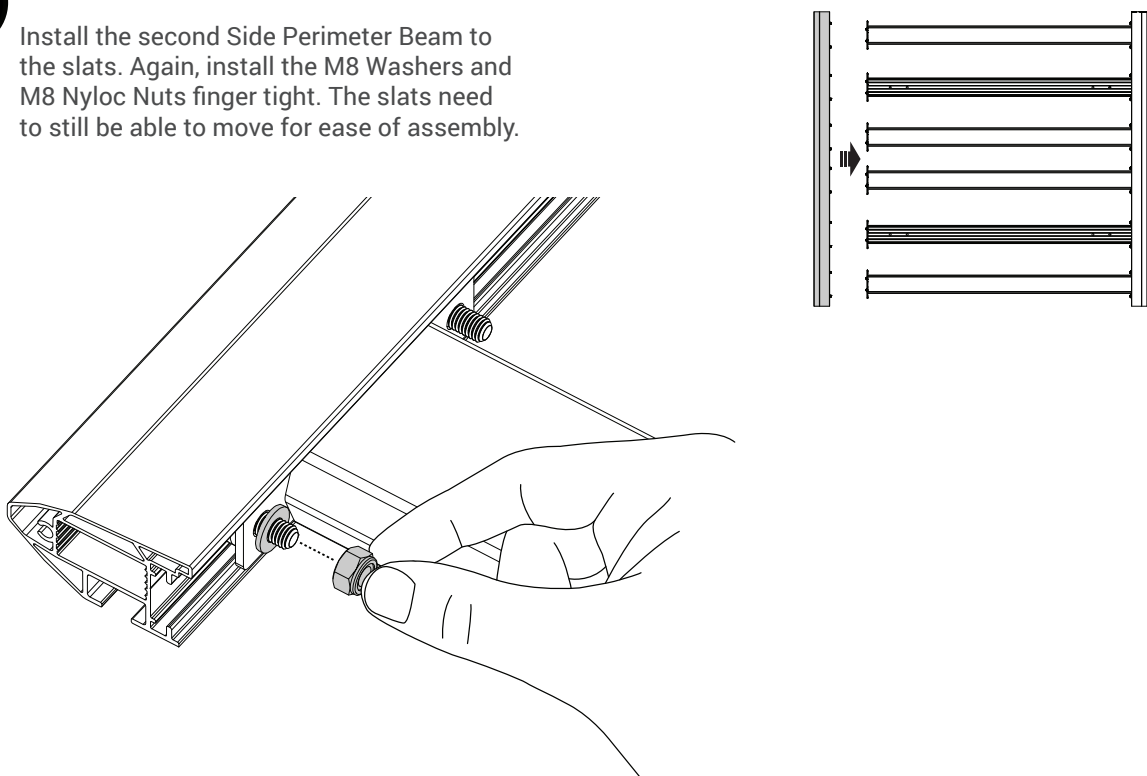
7 INSTALL SLATS

Install the slats to the Slat Clamping Plates on one Side Perimeter Beam and install the M8 Washers and M8 Nyloc Nuts finger tight. Leaving everything finger tight is needed to allow for adjustment of the Aero Deck layout and positions of the slats.



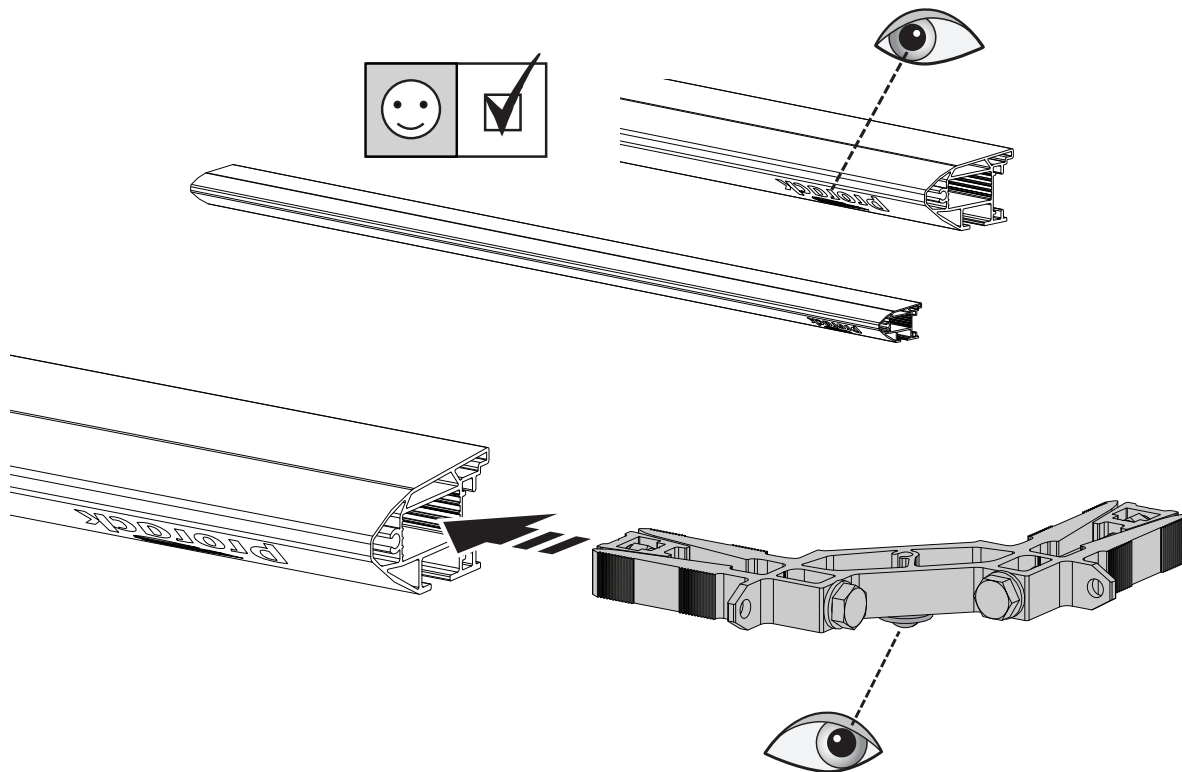
8 INSTALL SLATS

Install the second Side Perimeter Beam to the slats. Again, install the M8 Washers and M8 Nyloc Nuts finger tight. The slats need to still be able to move for ease of assembly.

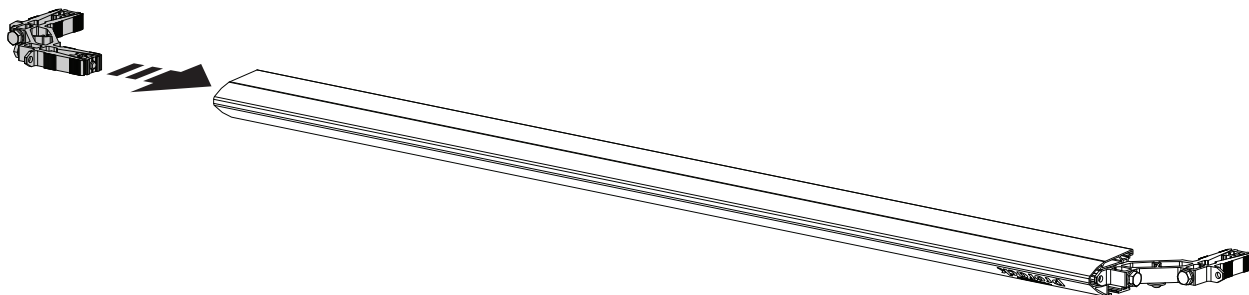


9**INSTALL CORNER BRACKETS**

Install Corner Brackets loosely into the Front and Rear Perimeter Beams. The Front and Rear Perimeter Beams are the Perimeter Beams with the Prorack logo on the side. You may need to lift and align the wedge block up into the perimeter beam cavity. Ensure the screw is pointing down. Do not tighten the bolts at this stage.

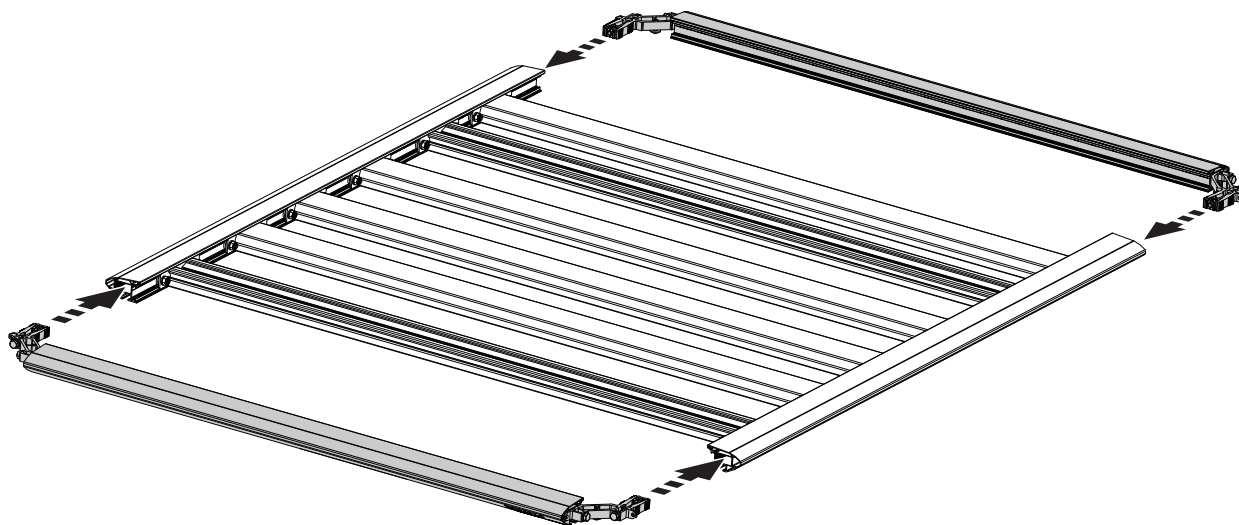
**10****INSTALL CORNER BRACKETS**

Install the Corner Bracket into the opposite end of the Front/Rear Perimeter Beam. Repeat for the second Front/Rear Perimeter Beam.

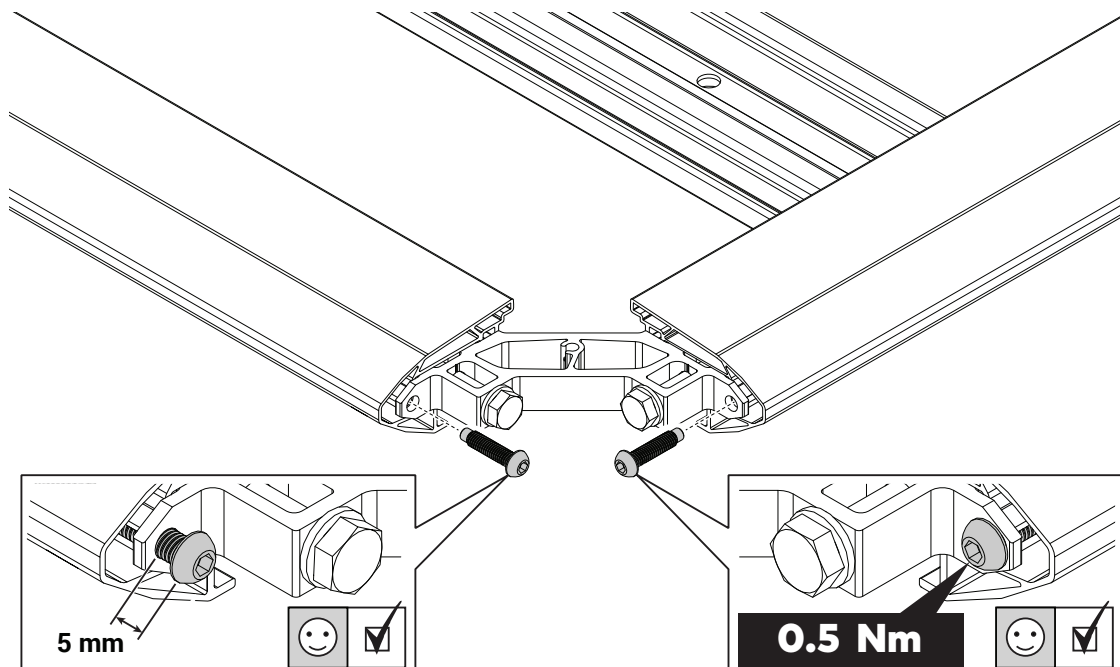
**x2**

11**ASSEMBLE BEAMS**

Install the front and rear perimeter beams by sliding the corner brackets into the longitudinal perimeter beams.

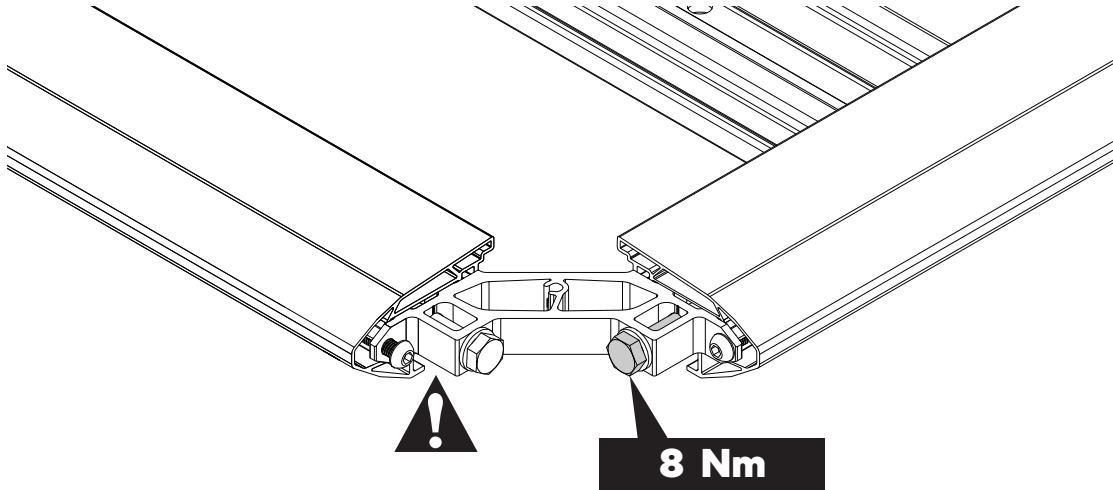
**x2****12****INSTALL CORNER BRACKET SCREWS**

Install M6 screws into the Corner Brackets. Tighten only the screws on the Side Perimeter Beams to 0.5 Nm. Do not fully tighten the screws in the front and rear beam until the Aero Deck is installed to the vehicle.

**x4**

13**TIGHTEN SIDE PERIMETER BEAM BOLTS**

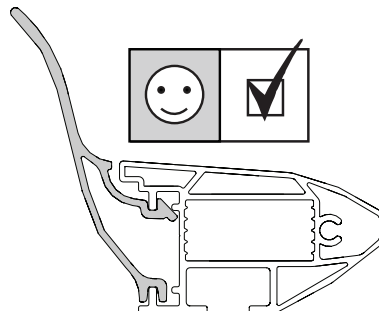
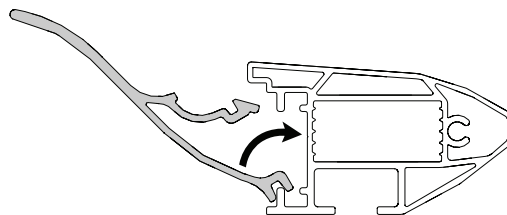
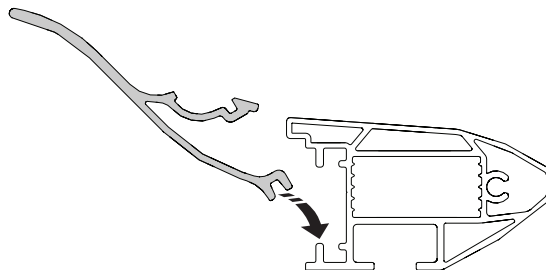
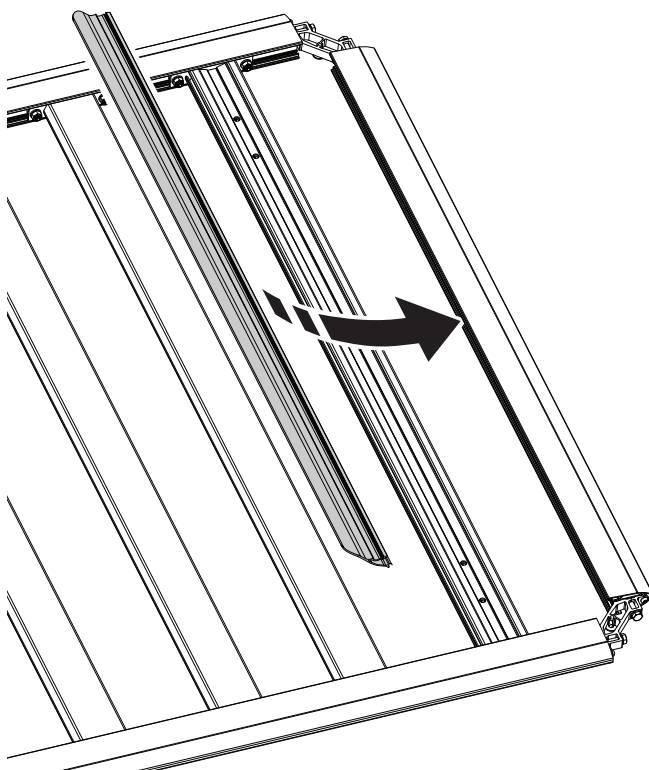
Tighten the M8 Side Perimeter Beam bolts only to 8 Nm. Do not tighten the bolts on the front and rear perimeter beams at this stage. They need to remain loose to be able to adjust the slats to position on the vehicle.



DO NOT tighten the bolts on the Front and Rear Perimeter Beams

x4**14****INSTALL WIND DEFLECTOR**

Install the wind deflector onto the front perimeter beam. Insert on the top face and rotate into the slot. Confirm the the deflector has clipped into the channel along the full length.

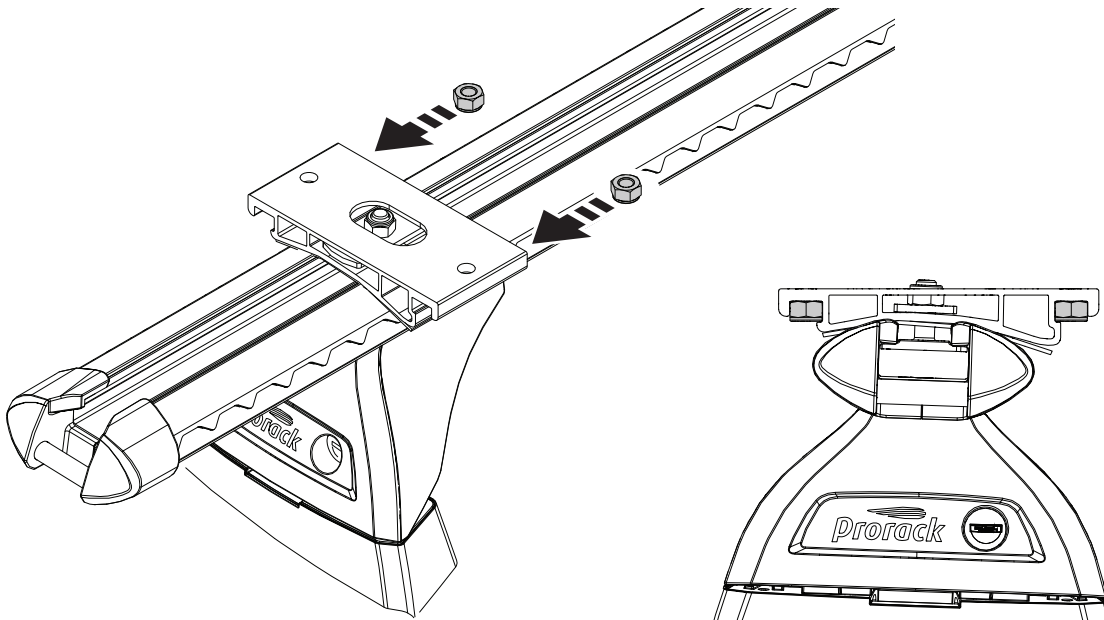
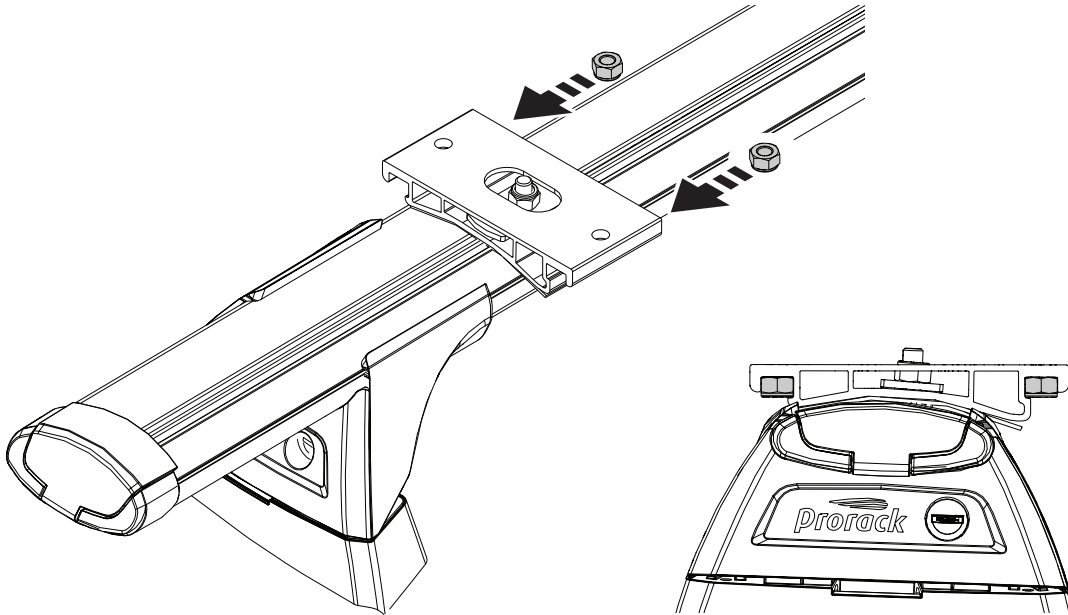


Installing the Aero Deck to the vehicle

1

INSTALL ADAPTER NYLOC NUTS

Install M8 Nyloc Nuts into the side channels of the Aero Deck Crossbar Adapters and align them with the holes on all of the adapters.



(PR3712) **x4**

(PR3713) **x6**

2

CHECK MEASUREMENTS

Check the measurement for the Mounting Slats on the Aero Deck is the same as the distance between the Aero Deck Crossbar Adapter Kit Crossbars. Adjust the distance between the Mounting Slats if required. Tighten the nuts for the Standard Slats on one side of the Aero Deck and the nuts for one of the Mounting Slats as shown below.

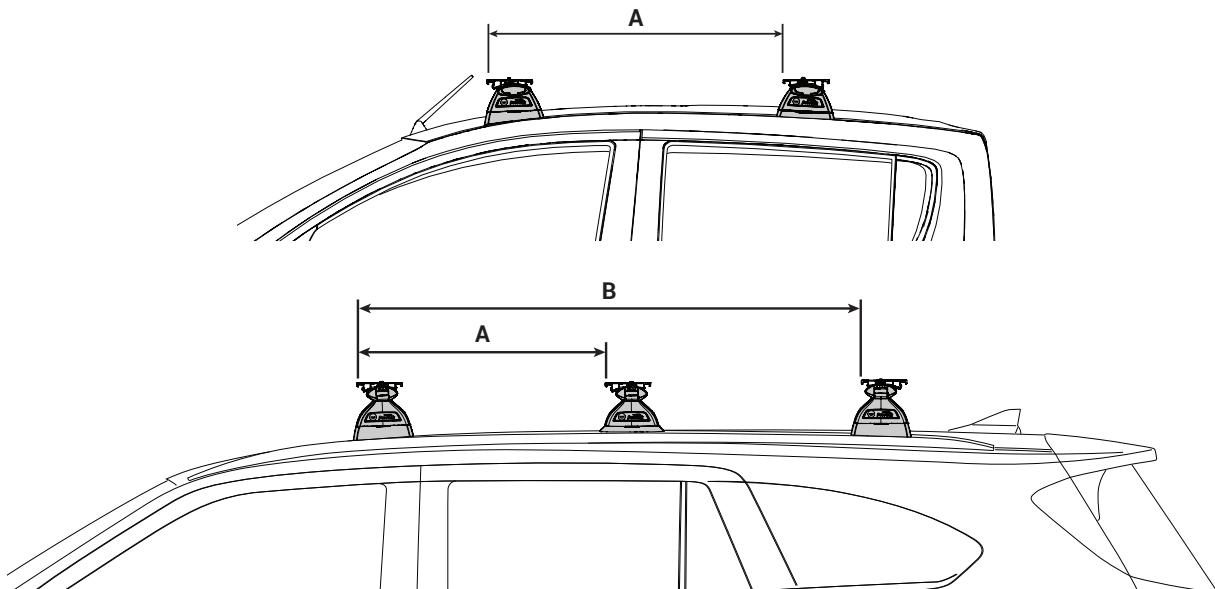
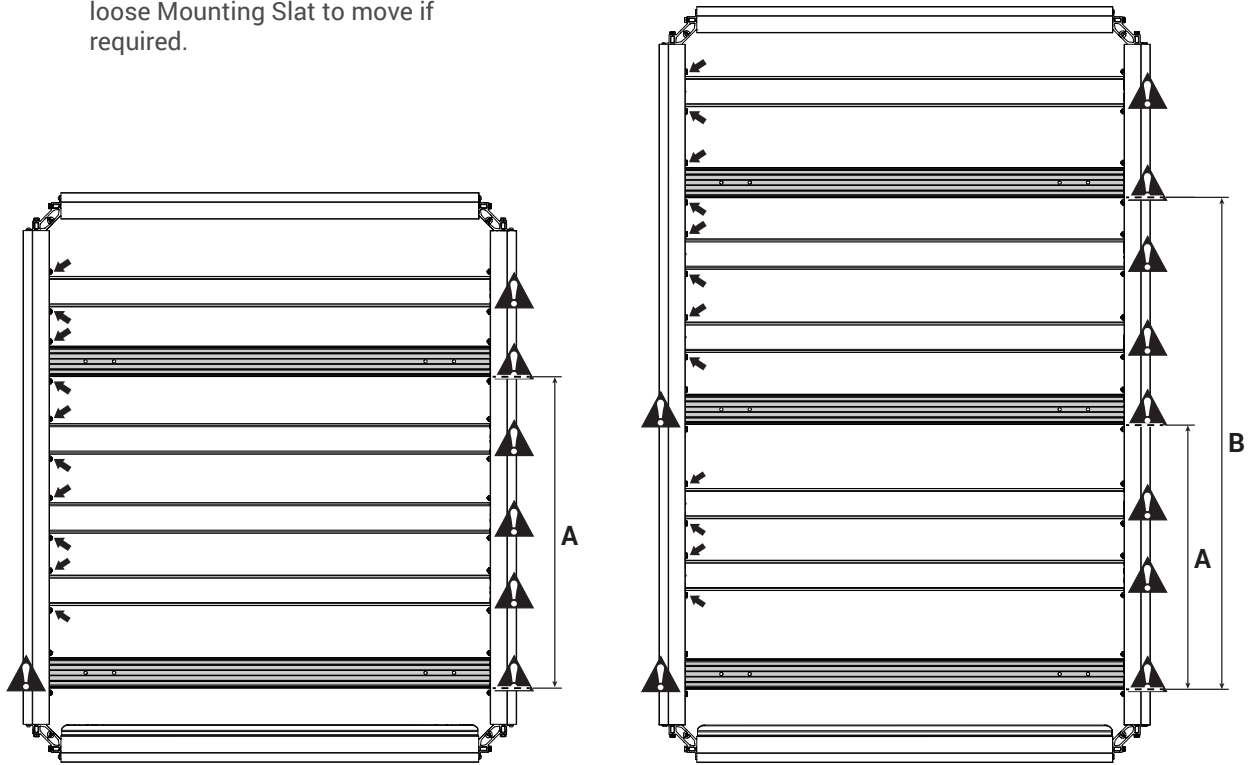
The bolts on the opposite side beam need to remain loose to allow for the loose Mounting Slat to move if required.



Fasteners at these locations to remain loose prior to fitting the Aero Deck to the vehicle.

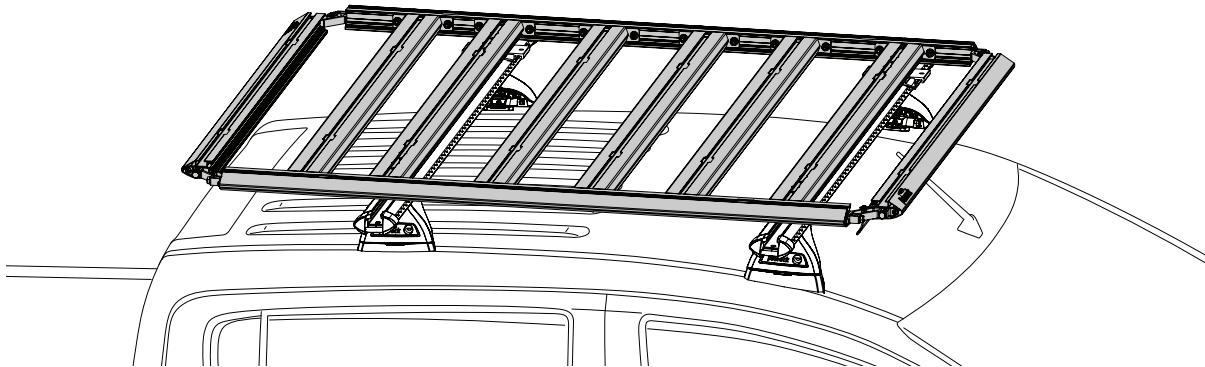


Fasteners indicated by arrows to tightened prior to fitting the Aero Deck to the vehicle.

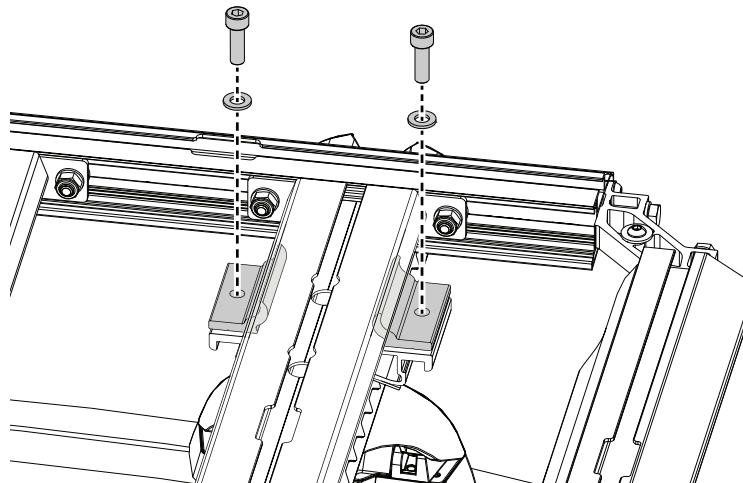
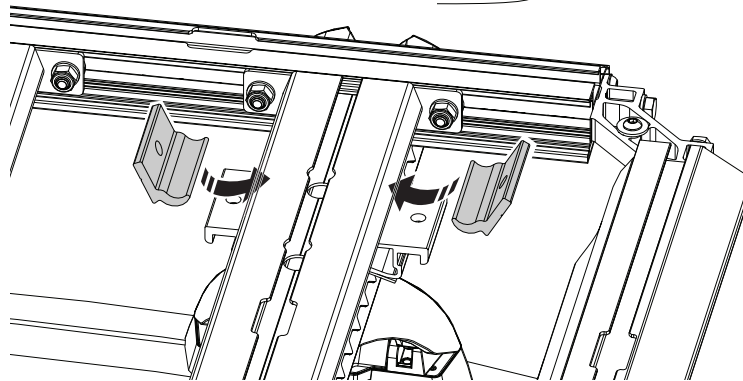
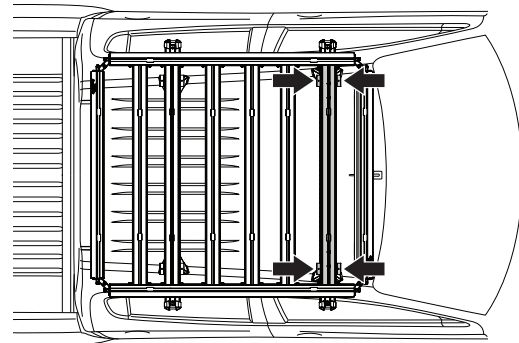


3**INSTALL**

Lift the Aero Deck and rest it onto the Aero Deck Crossbar Adapter Kit. This should be completed with at least 2 people to prevent damage to the Aero Deck or vehicle.

**4****INSTALL ADAPTER CLAMPS**

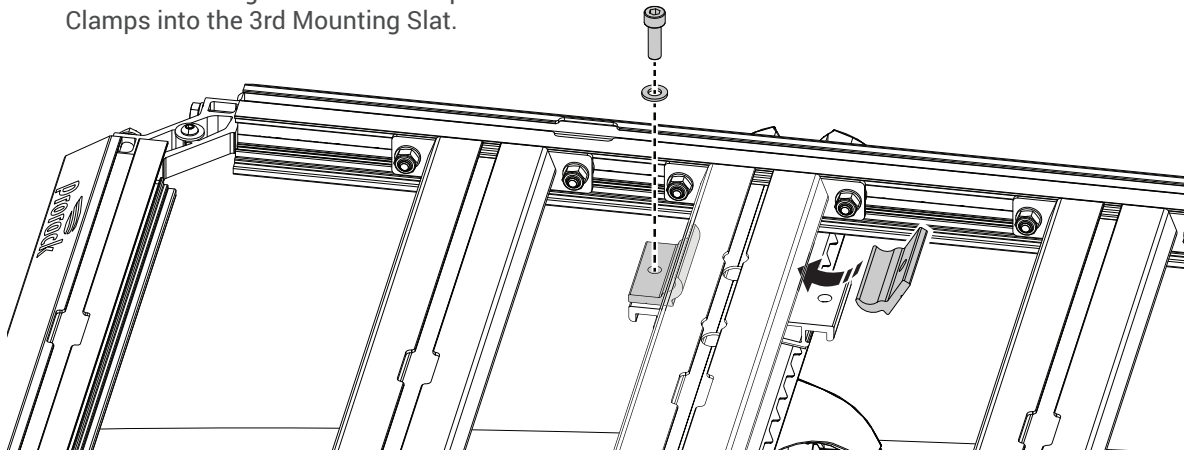
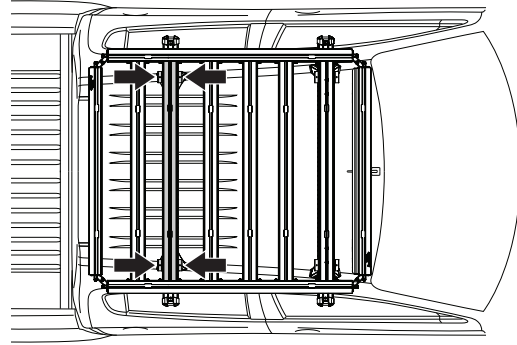
Install x4 Crossbar Adapter Clamps to the fixed Mounting Slat and loosely install the M8 x 25 mm Screws and M8 Washers.



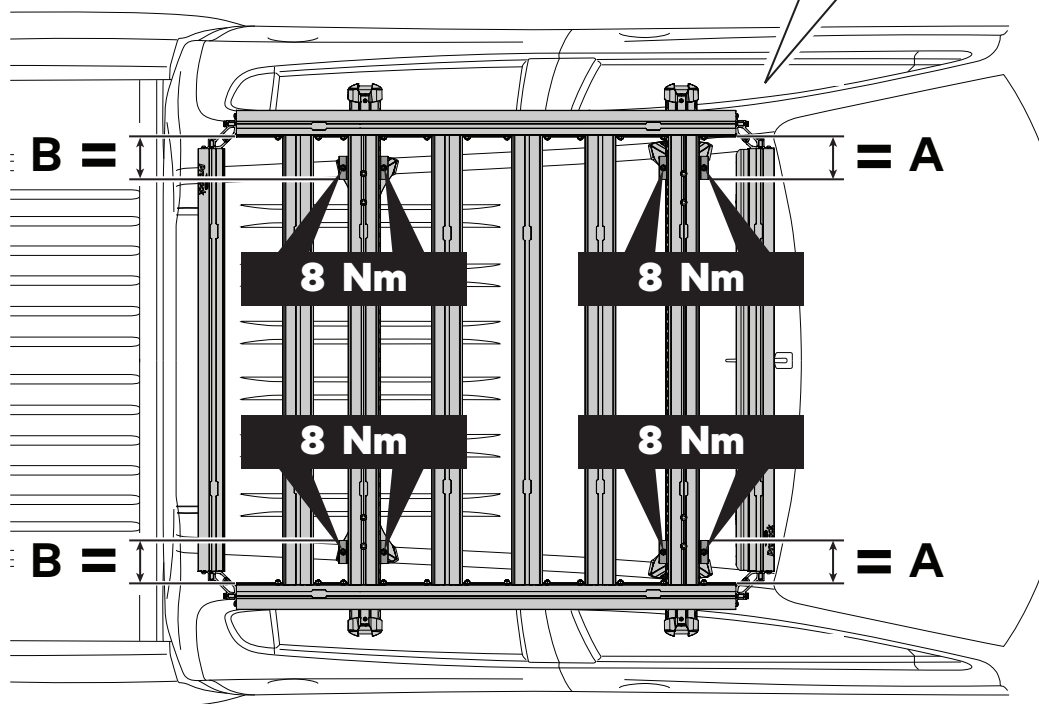
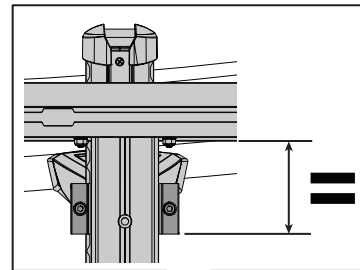
5**INSTALL ADAPTER CLAMPS**

Install x4 Crossbar Adapter Clamps into second bar Mounting Slat. Adjust the Mounting Slats so that the Crossbar Adapter Clamps align to the edge of the Crossbar Adapter Assembly. Install M8 x 25 mm screws and washers loosely into the Crossbar Adapter Clamps.

For the PR3703 Aero Deck 1300 x 2000 mm platform repeat the same process for the remaining x4 Crossbar Adapter Clamps into the 3rd Mounting Slat.

**6****TIGHTEN ADAPTER CLAMP FASTENERS**

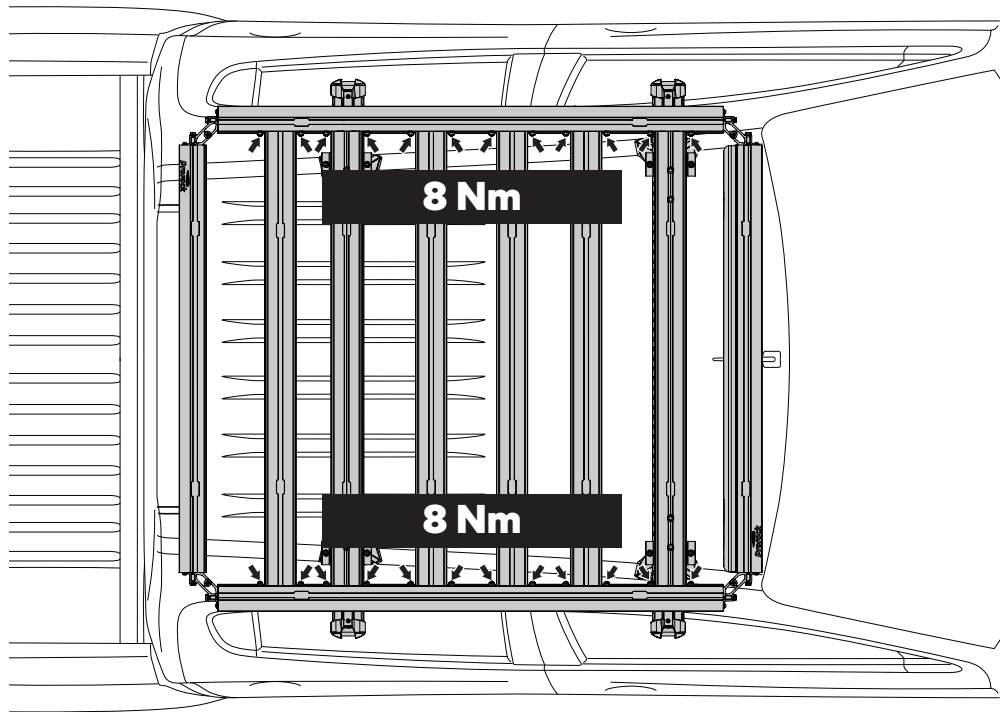
Check that the Aero Deck is positioned evenly on the vehicle and tighten the M8 x 25 mm Screws to a torque of 8 Nm.



7

TIGHTEN SLAT FASTENERS

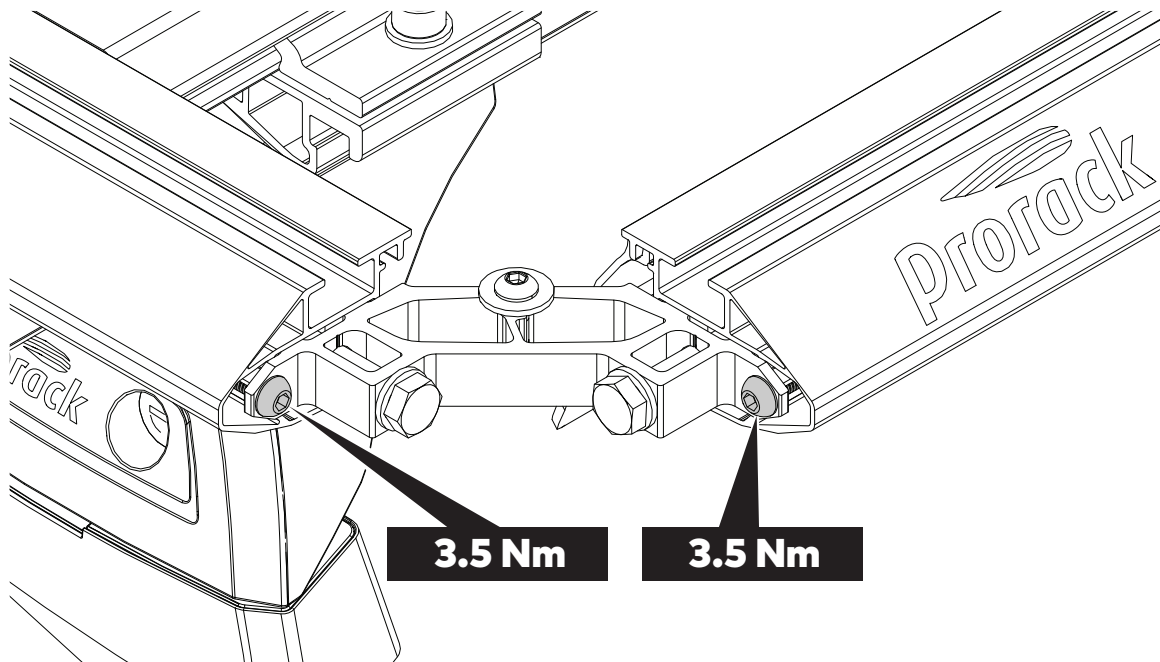
Tighten all of the nuts for the slats on the Aero Deck slats to a torque of 8 Nm.



8

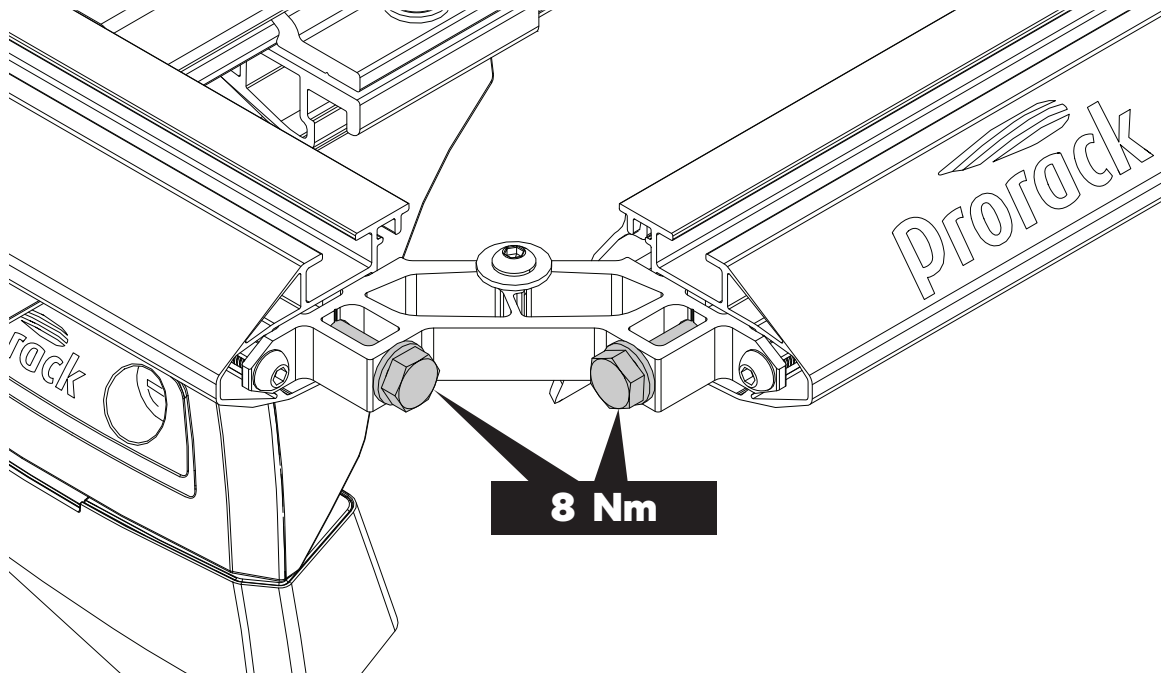
TIGHTEN CORNER BRACKET SCREWS

Tighten all the Button Head Screws on the Corner Bracket to a torque of 3.5 Nm

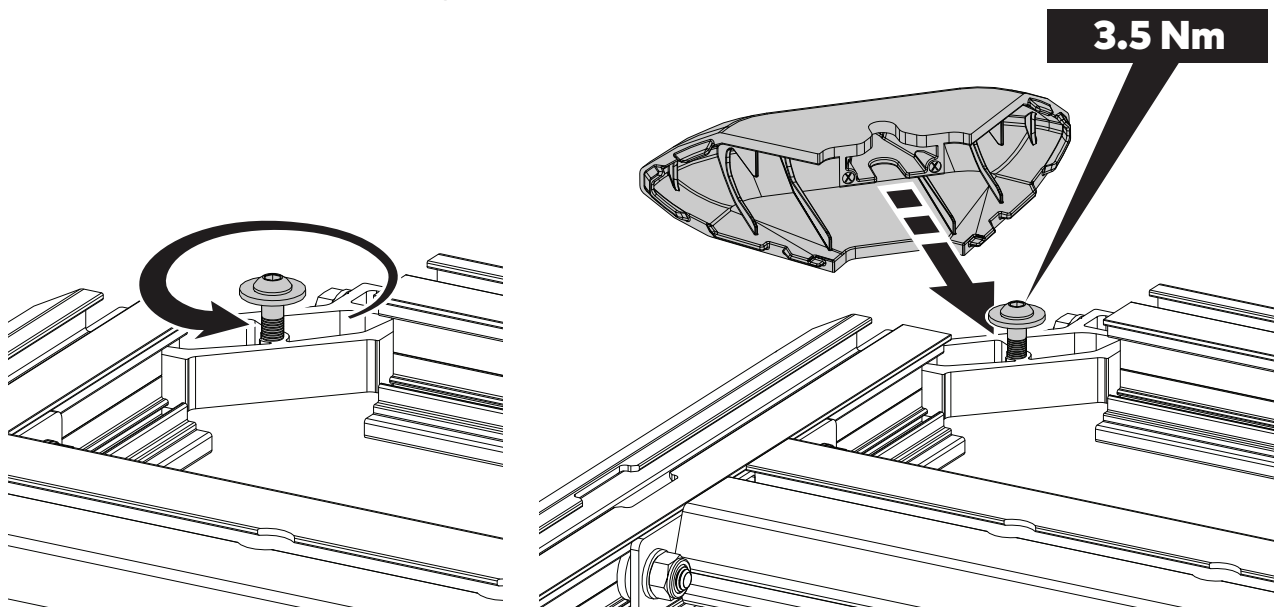


9**TIGHTEN CORNER BRACKET BOLTS**

Tighten all the M8 Bolts on the Corner Brackets to a torque of 8 Nm.

**10****INSTALL CORNER COVERS**

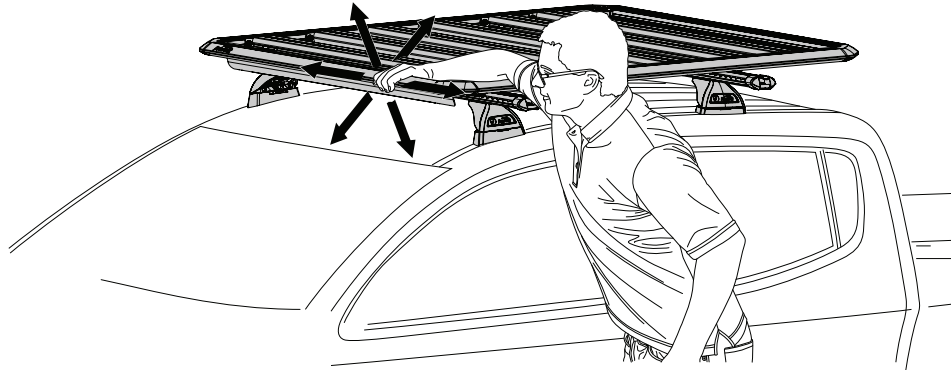
Unscrew the Corner Cover fasteners by 4 rotations to be able to slide to Corner Covers on. Install the Corner Cover and re-tighten the Corner Cover fastener to a torque of 3.5 Nm.



9

CHECK FITMENT

Make a final check to ensure that the Aero Deck is firmly secured to the vehicle.



Maintenance

- Check accessory is securely attached whenever you refit it to the vehicle. If the unit feels loose, refer to the fitting instructions and readjust.
- Regularly check all fasteners. This includes all attached accessories and roof racks.
- Clean with hot soapy water and sponge as required.

Caution

- Ensure all items are securely attached.
- Ensure that all loads are distributed evenly and are fastened securely.
- A loaded roof rack system can alter the performance of your vehicle. Be especially aware of the effects of side winds, changing of direction, and braking performance. Avoid rapid acceleration and deceleration. Drive Carefully.
- Make sure all loads are securely fastened with non-elastic Straps. Check regularly during longer journeys.
- Never drive into a car wash with the roof rack system or accessories fitted.
- Do not exceed the vehicle manufacturer's roof load rating. Total load equals weight of roof racks + accessories + cargo/ equipment.



Prorack
17 Hinkler Court, Brendale
QLD 4500, Australia

Freephone
AU: 1800 143 548
NZ: 0800 4776 722

www.prorack.com.au
www.prorack.co.nz