

## First Time Installation

- Please read instructions carefully before installation.
- Check the contents of kit. Contact your Prorack dealer if any parts appear to be missing or damaged.
- Clean your roof racks prior to fitting the roof box.

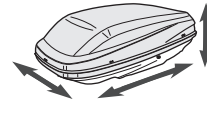
## Important Warning

- It is critical that all Prorack racks and accessories be properly and securely attached to your vehicle. Improper attachment could result in an automobile accident, and could cause serious bodily injury or death to you or to others.
- You are responsible for securing the racks and accessories to your car, checking the attachments prior to use, and periodically inspecting the products for adjustment, wear, and damage.
- If you do not understand all of the instructions and cautions, or if you have no mechanical experience and are not thoroughly familiar with the installation procedures, you should have the product installed by a professional installer such as a roof rack specialist.

CityCrash



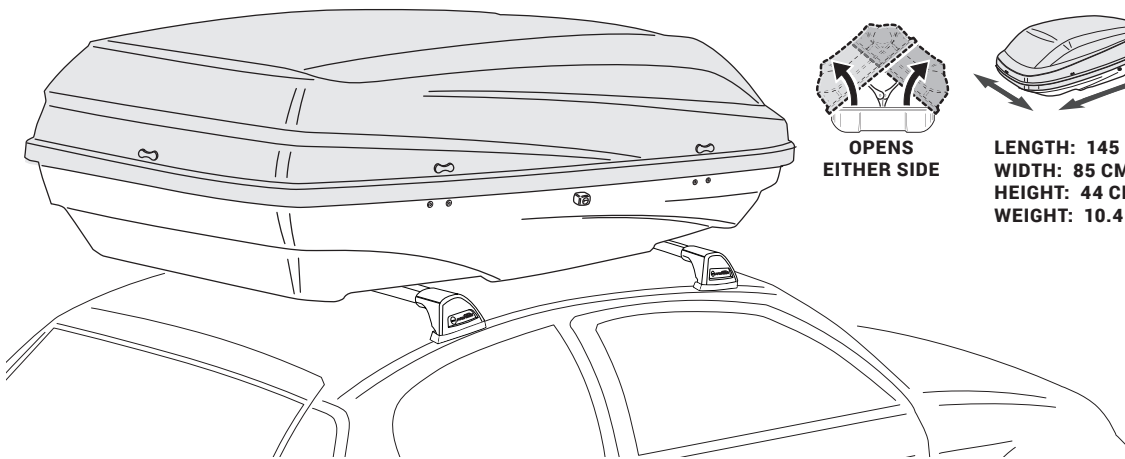
OPENS  
EITHER SIDE



LENGTH: 145 CM  
WIDTH: 85 CM  
HEIGHT: 44 CM  
WEIGHT: 10.4 KG



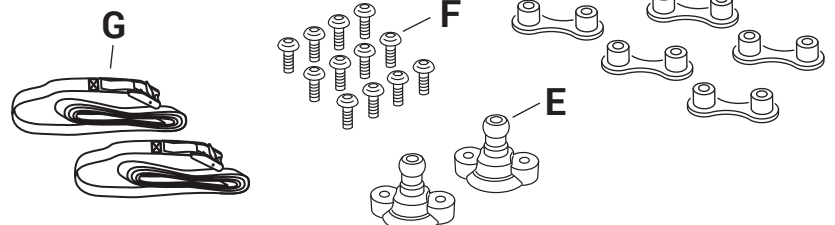
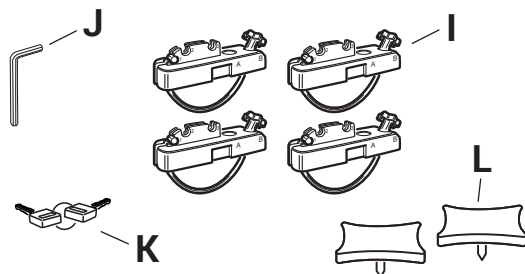
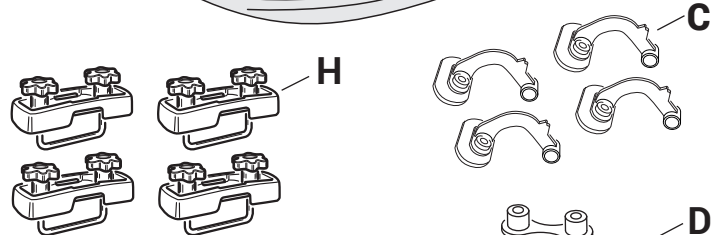
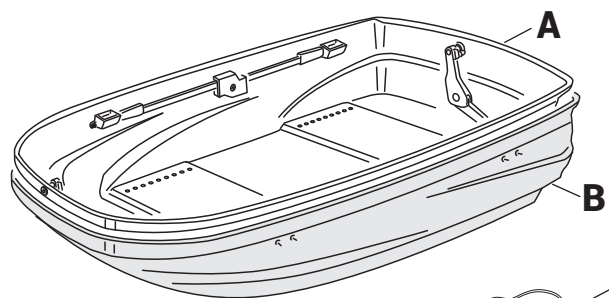
MAX WEIGHT:  
50 KG

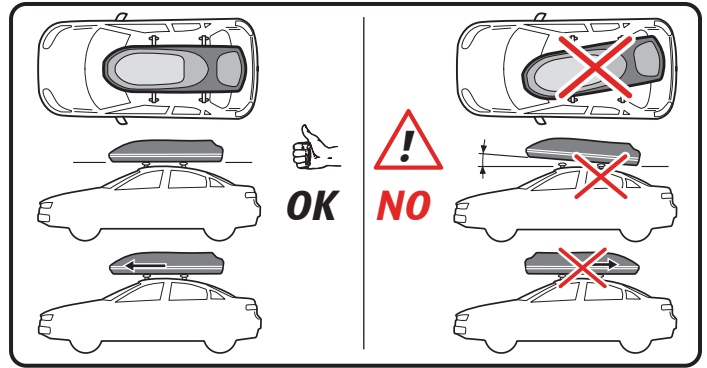
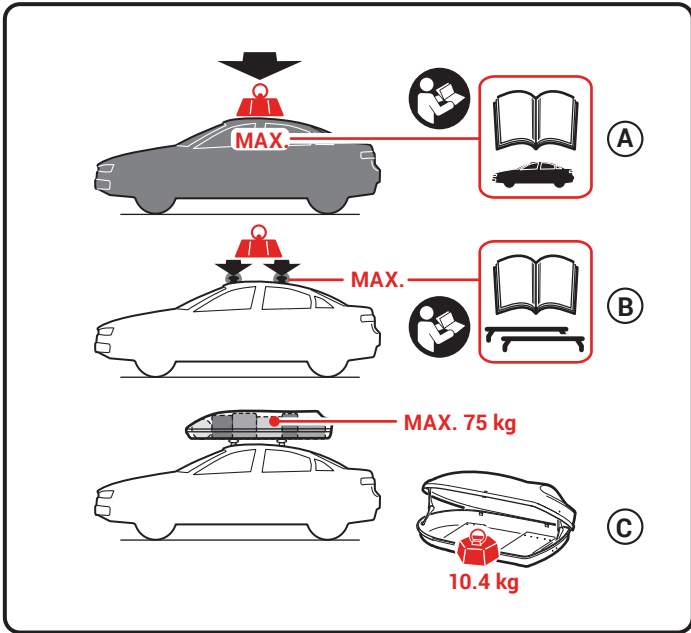
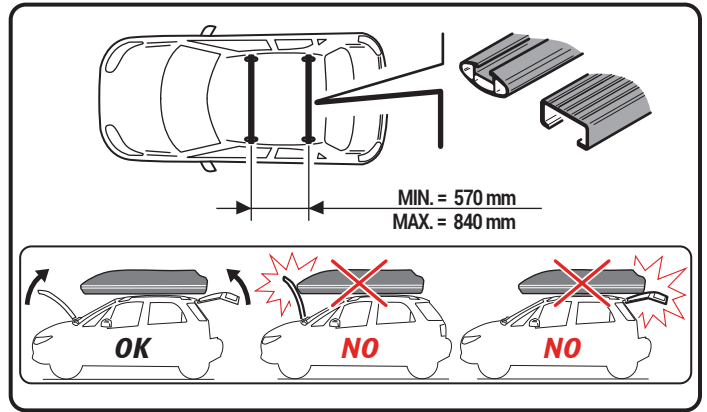
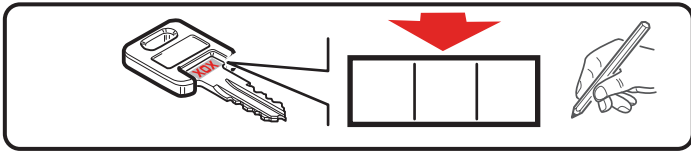


EXP360U

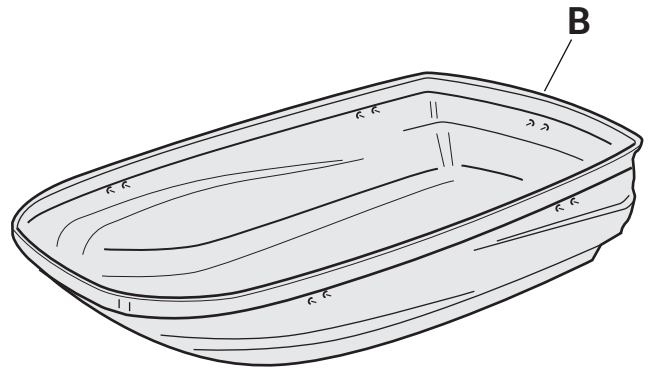
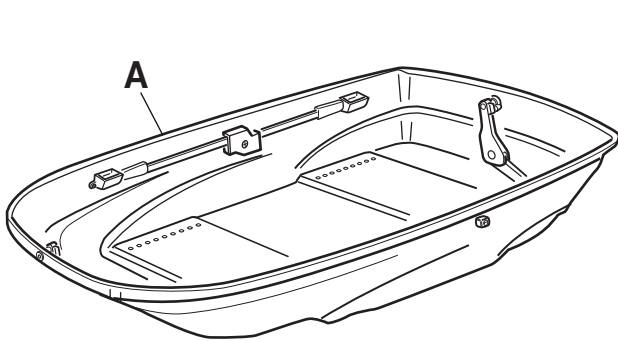
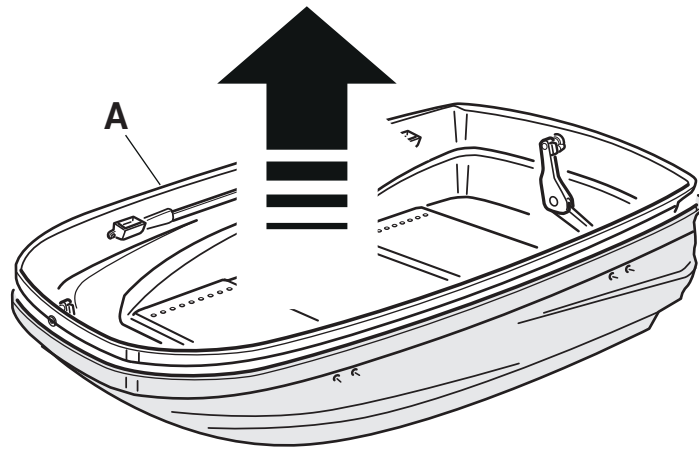
## Kit Contents

Item	Component	Qty
A	Roof Box Base	1
B	Roof Box Lid	1
C	Latch Clamp	4
D	Nut Plate	6
E	Lid Lifter Pivot	2
F	Capscrew	12
G	Luggage Strap	2
H	Fitting Kit 1 (SP166)	1
I	Fitting Kit 2 (SP167)	1
J	Allen Key 2.5 mm	1
K	Key Set	1
L	Hole Punch	2

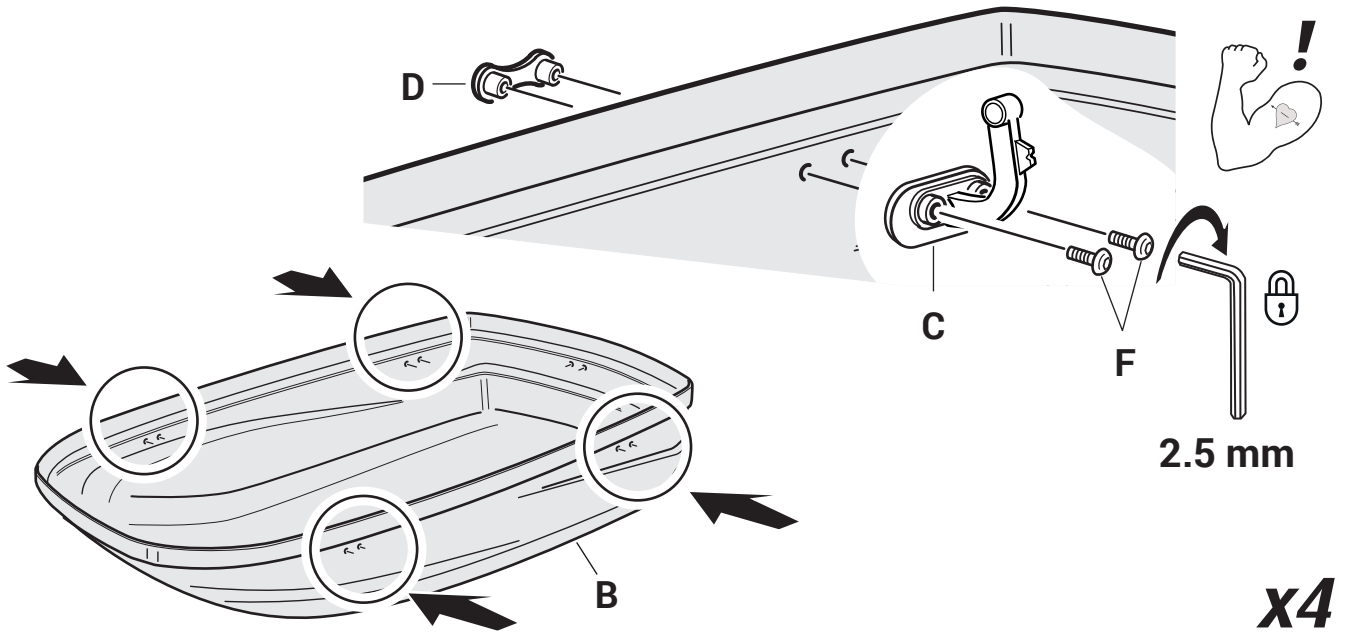




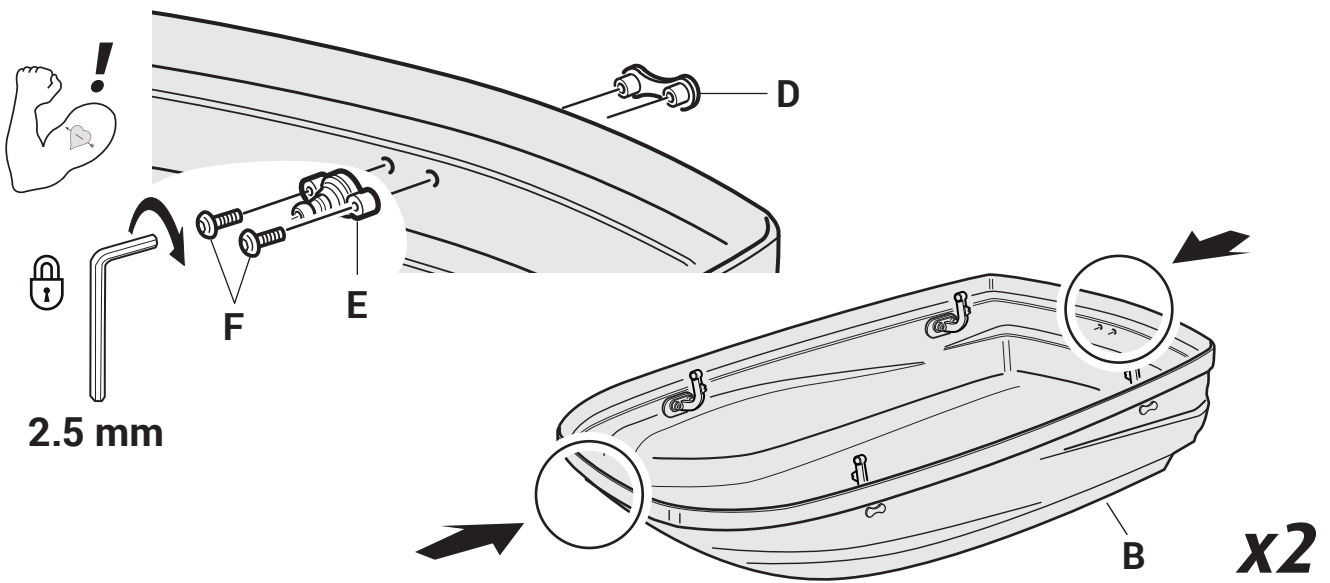
**1 Remove Roof Box Base (A) from Roof Box Lid (B)**



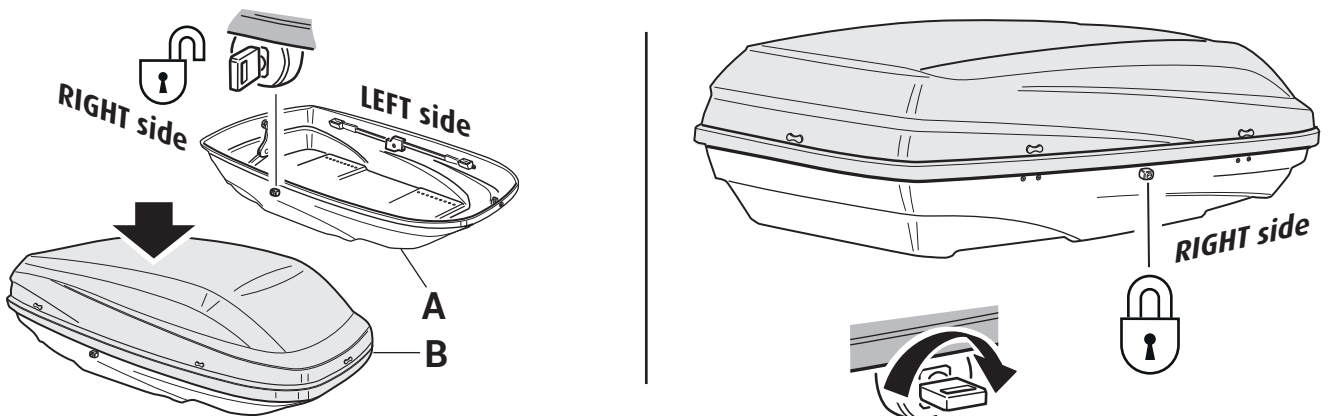
**2 Attach Latch Clamps to Roof Box Lid sides**



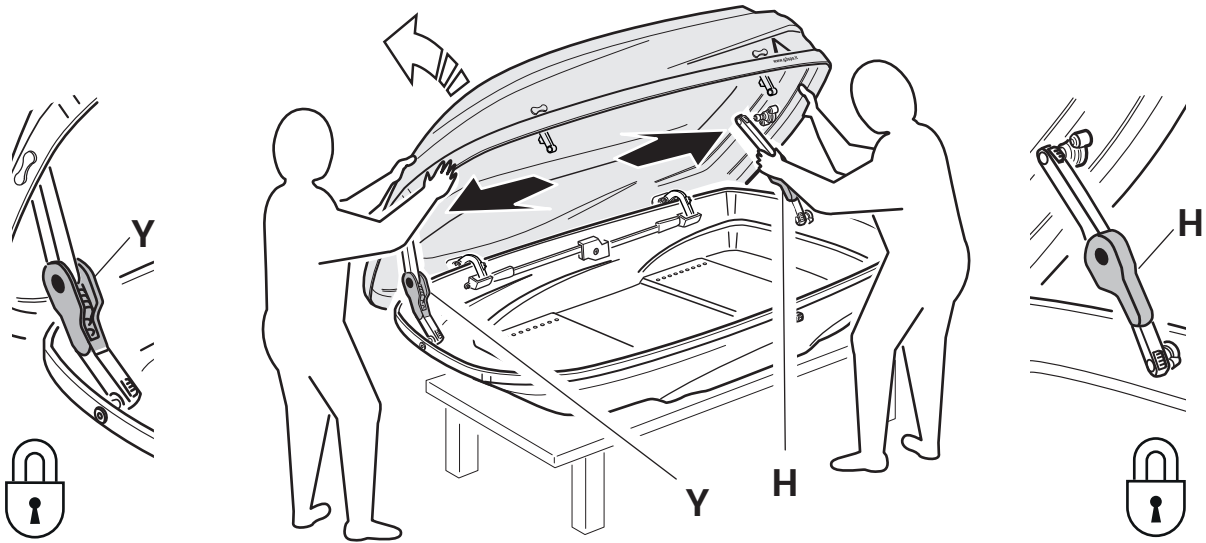
**3 Attach Lid Lifter Pivots to Roof Box Lid front and rear**



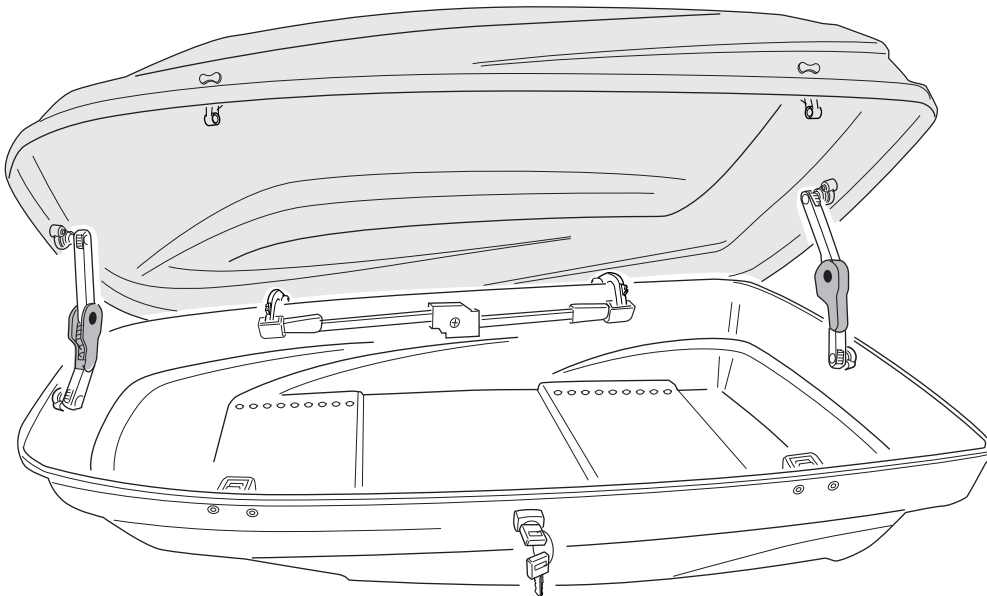
**4 Place Roof Box Lid (B) on Roof Box Base (A)**



**5 Attach Lid Lifters to Roof Box Lid**




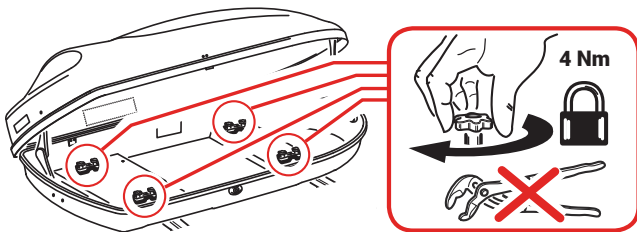
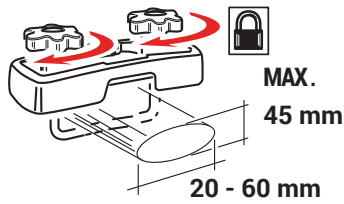
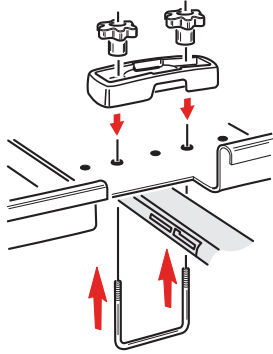
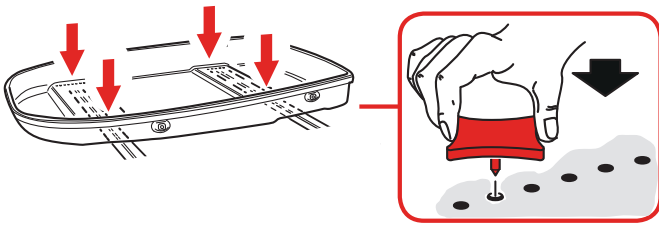
**6 Your assembled Roof Box is now ready to be fitted**





***Continue on Step 7 to install Prorack 360 L Roof Box to your Roof Racks***

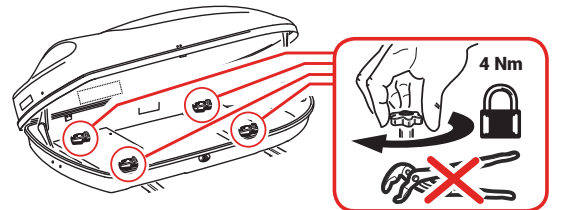
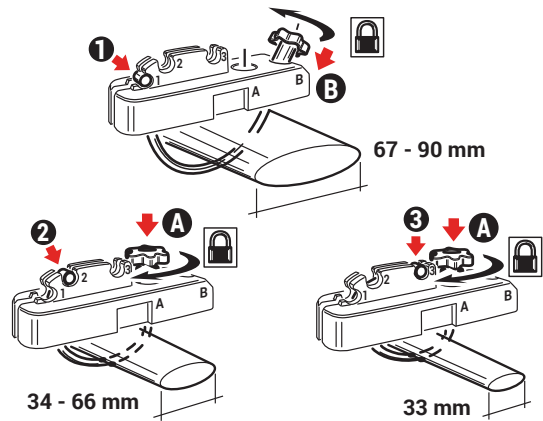
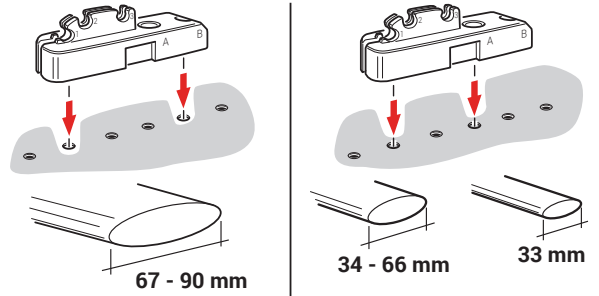
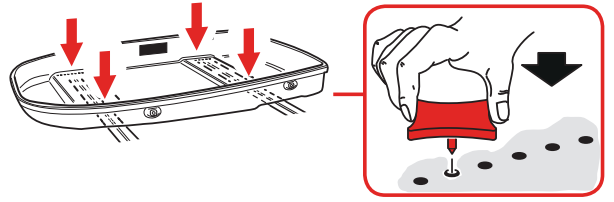
### 7A Fitting Kit 1 (SP166)

Use for Standard Bar 



### 7B Fitting Kit 2 (SP167)

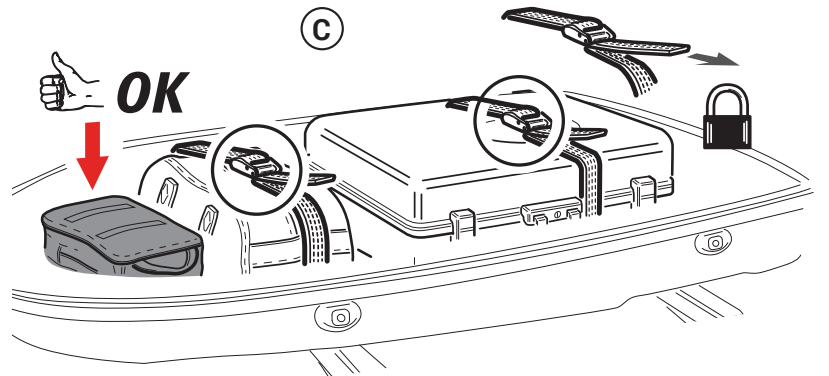
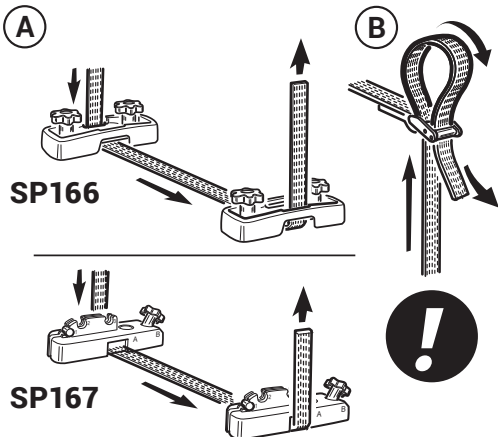
Use for Aero  or Heavy Duty 



### 8 Securing luggage

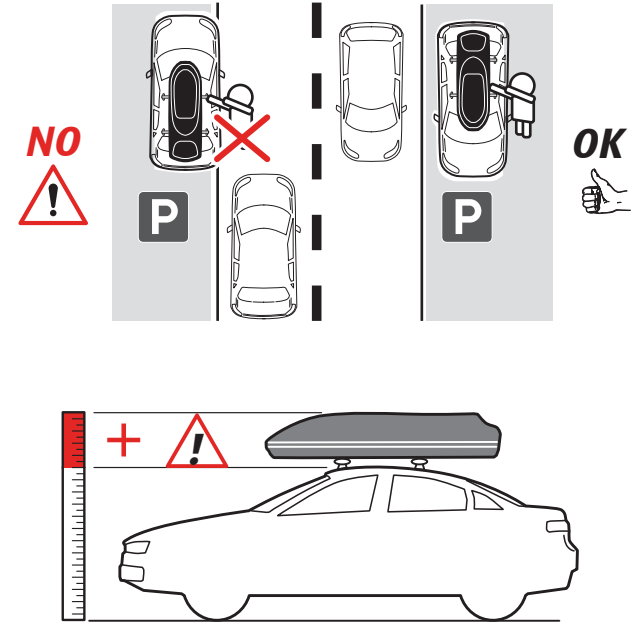
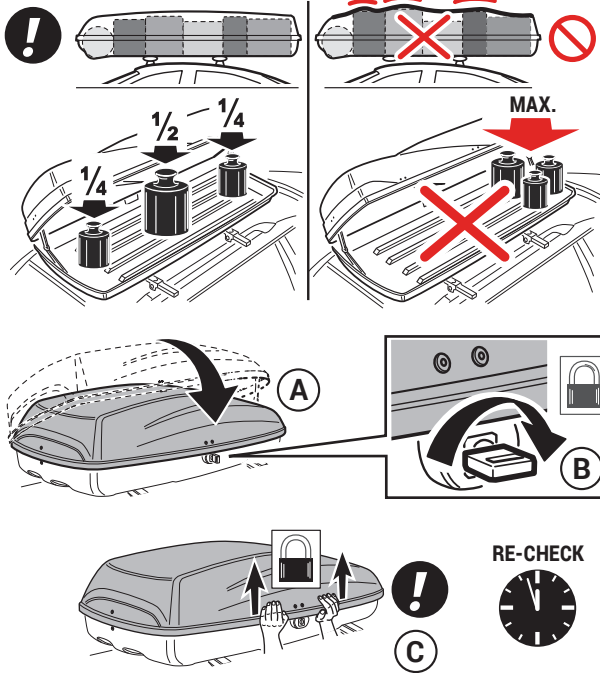
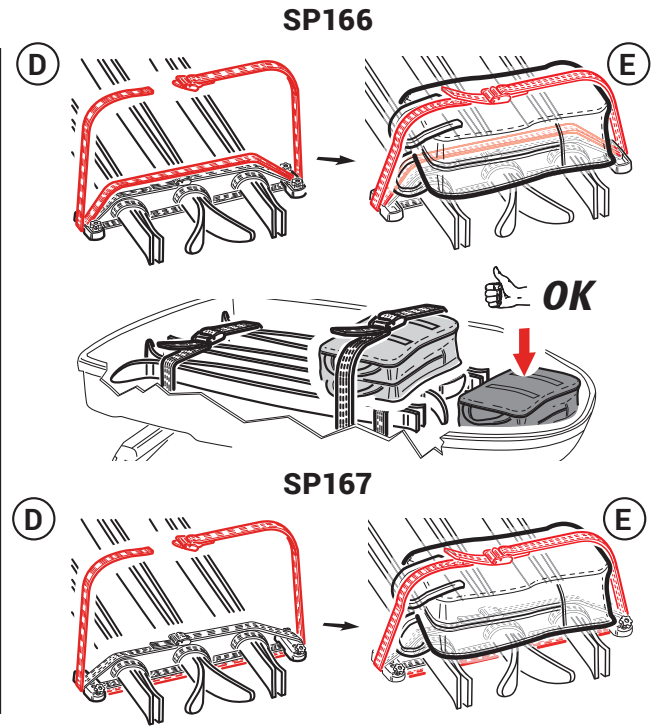
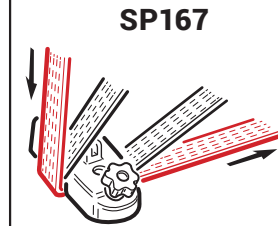
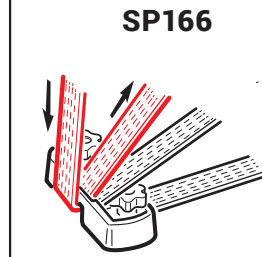
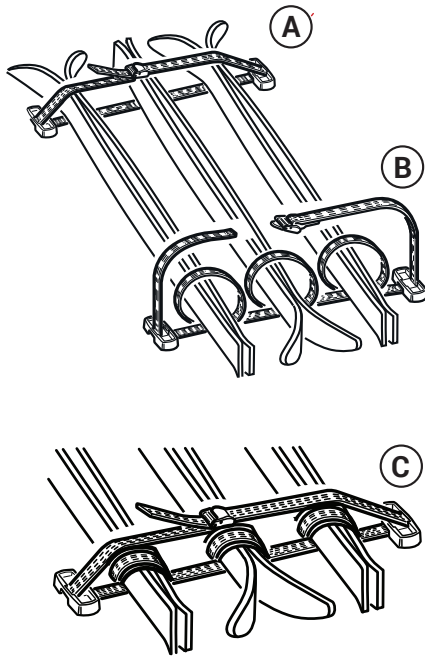
VALID FOR MODEL WITH:

**CityCrash**





## Securing skis with luggage



## Care and Maintenance

### Roof Box Care:

- Use a clean soft cloth. Wash with mild soap and water. Polish with automotive type wax and UV protectant to prevent colour fade.
- Periodically check the knobs inside the roof box and tighten if necessary. Attachment hardware can loosen over time. Check and tighten if necessary, before each use.
- Be sure all hardware is secured according to instructions. Failure to perform safety checks before driving away can result in property damage, personal injury.

### Lock Maintenance:

- Spray a small amount of lubricant into lock mechanism once a month.

## Caution

### If Your Vehicle Has A Rear Hatch:

- On some vehicles, hatch interference is unavoidable. Use caution when opening your hatch.

### Automatic Car Washes:

- Do not enter car wash with roof box installed on vehicle.

Prorack  
17 Hinkler Court, Brendale  
QLD 4500, Australia

Freephone  
AU: 1800 143 548  
NZ: 0800 4776 722

www.prorack.com.au  
www.prorack.co.nz