

Caution

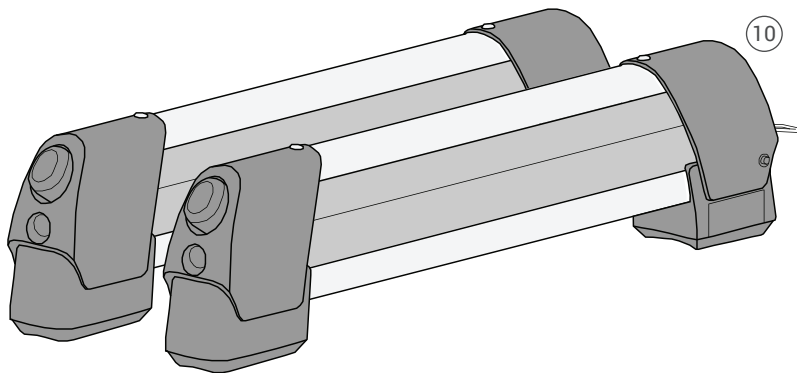
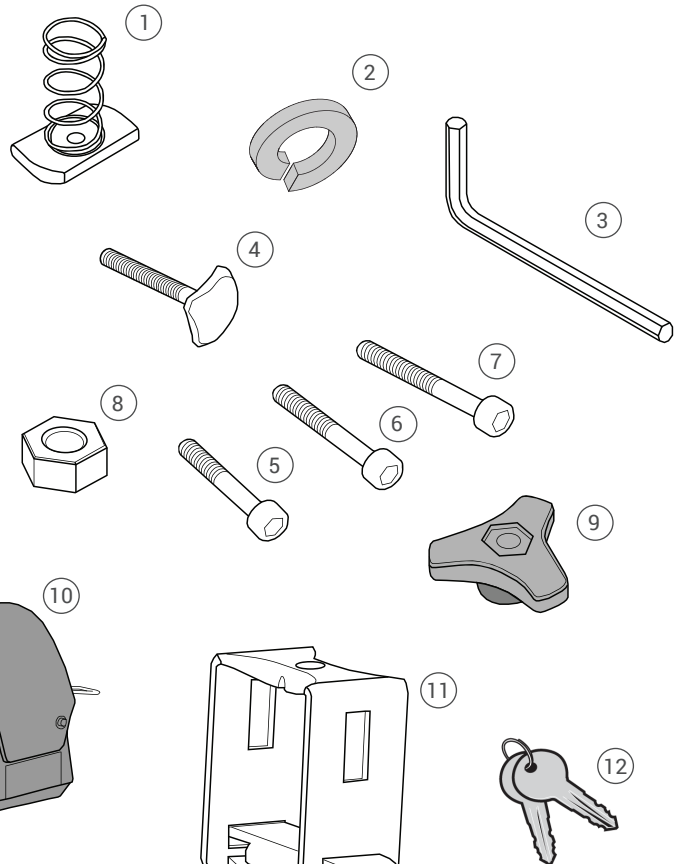
- Tie down long or wide loads at the front and rear of the vehicle with non-elastic straps. If it looks like it can catch some air, it will. TIE IT DOWN!
- Check straps periodically during travel and tighten if necessary. Replace any straps that are worn or frayed before using (see your Prorack dealer).

Important Warning

- It is critical that all Prorack racks and accessories be properly and securely attached to your vehicle. Improper attachment could result in an automobile accident, and could cause serious bodily injury or death to you or to others.
- You are responsible for securing the racks and accessories to your car, checking the attachments prior to use, and periodically inspecting the products for adjustment, wear, and damage. Therefore, you must read and understand all of the instructions and cautions supplied with your Prorack product prior to installation or use.
- If you do not understand all of the instructions and cautions, or if you have no mechanical experience and are not thoroughly familiar with the installation procedures, you should have the product installed by a professional installer such as a roof rack specialist.

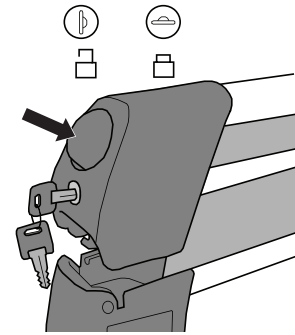
Kit Contents

Item	Component	Qty
1	M6 Nut Spring	4
2	M6 Spring Washer	4
3	5 mm Allen Key	1
4	M6 x 55 mm T-slot Bolt	4
5	M6 x 20 Socket Head Capscrew	4
6	M6 x 30 Socket Head Capscrew	4
7	M6 x 45 Socket Head Capscrew	4
8	M6 Hex Nut	4
9	3 Lobe Knob Assembly	4
10	Fishing Rod Holder	2
11	Clamp Assembly	4
12	Set of Keys	1



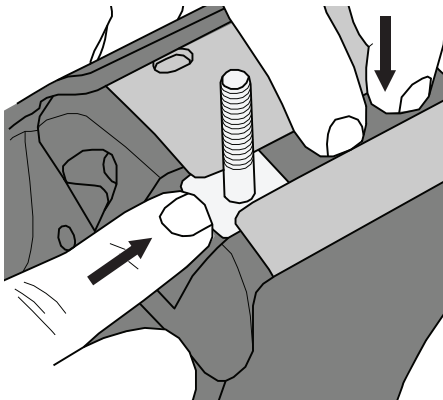
Installation for Flush, Through, HD and P-Bar Bars

Unlock holder with keys. Press large button on leg to release top arm.

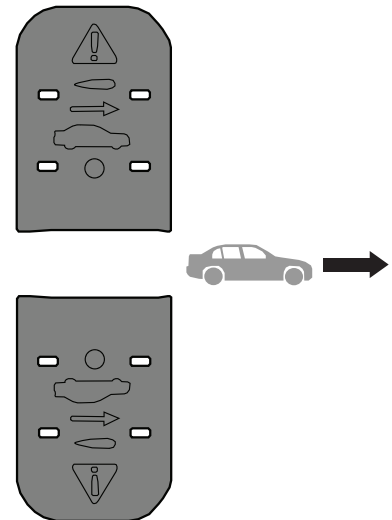


Installation for Flush and Through Bars

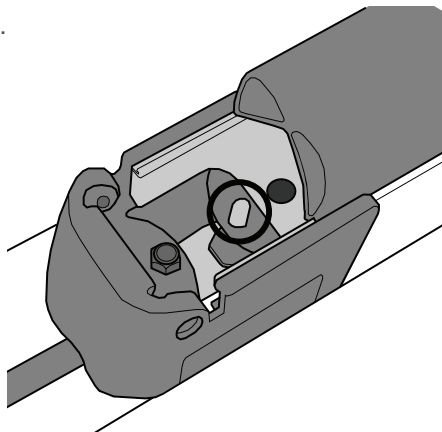
- 1** Push down rubber infill.
Slide square nut bolt along channel.
PR3064/PR3094: Position 46.5 cm (18 1/2")
apart.
PR3066/PR3096: Position 67 cm (26 3/8")
apart.



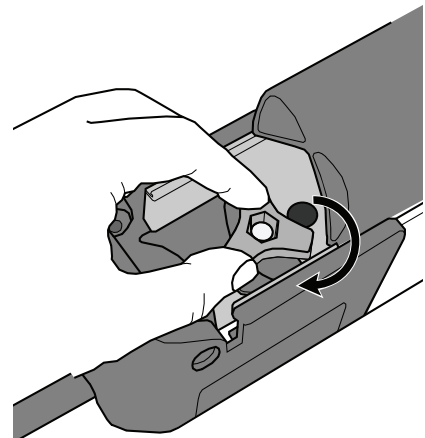
- 2** Determine which side the holder should be opened from.
Ensure pads are pointing forward.



- 3** Place the holder over the screw.
Ensure the screw protrudes through the hole.
Check position of holders.
NOTE: To provide access to attachment points,
bottom rubber cushion can slide along arm.
Return rubber to centre once attachment
finalised.

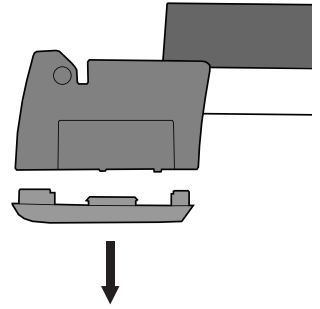


- 4** Tighten knob
Repeat for all four positions.



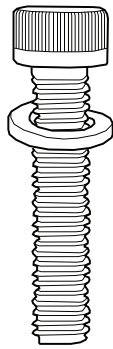
Installation for P-Bar and HD Bars

Remove pad. Store items away in a safe place.

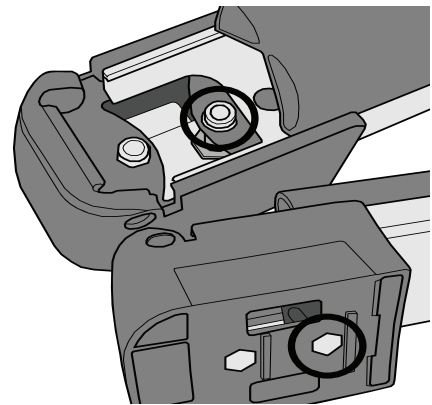


Installation for HD Bars

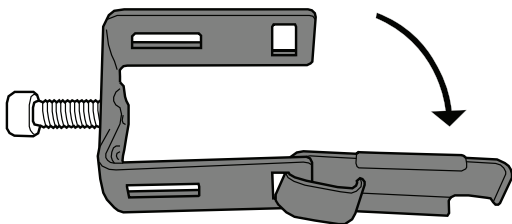
- 1** Assemble as shown.
NOTE: Use shorter capscrews.



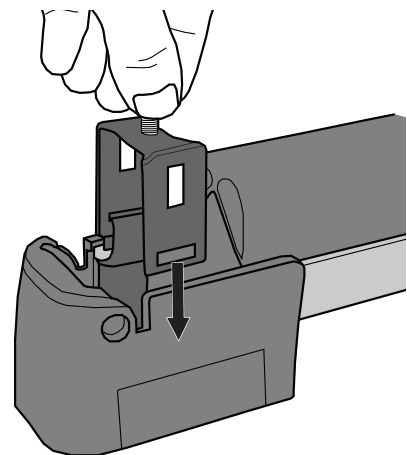
- 2** Thread the assembly through the hole onto the nut underneath.
NOTE: To provide more access to attachment points, bottom rubber cushion can slide along arm. Return rubber to centre once attachment finalised.



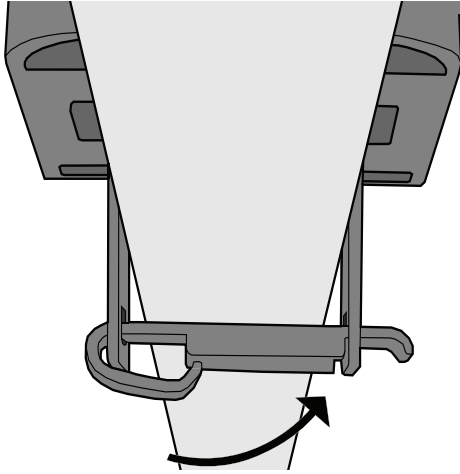
- 3** Undo the mounting clamp screw (But do not remove it). Unclip the tab so it hangs free.



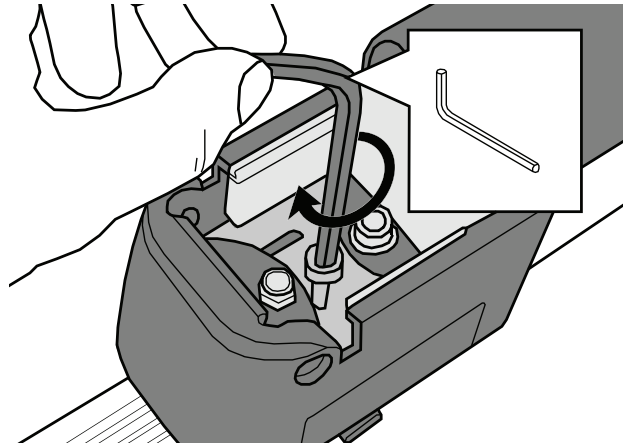
- 4** Determine which side the holder should be opened from.
Hold the mounting clamp by the screw and feed it down through each end of the holder.



- 5** Position holder on the crossbar.
Fold the tab under the crossbar and into the slot on the mounting clamp.
Repeat for all four positions.

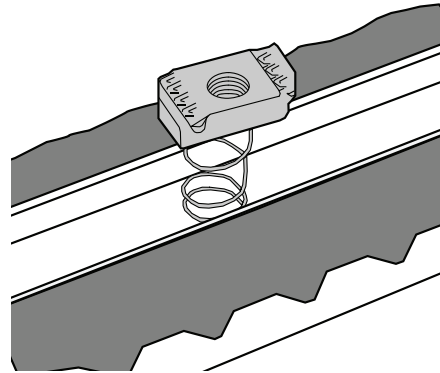


- 6** Check position of holders.
Use the hex key provided to tighten the screw on the mounting clamp.
Repeat for all four positions.

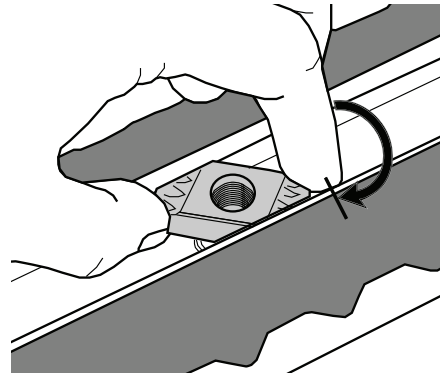


Installation for HD and Tradesman Bars

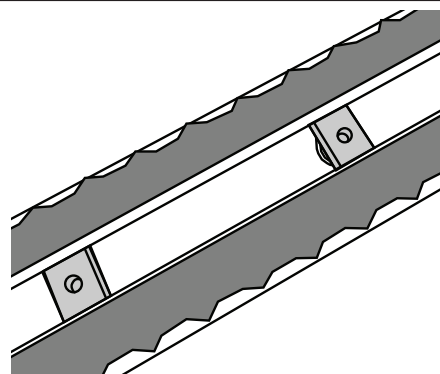
- 1** Place spring nut onto crossbar channel.
Position where you want the accessory to be.



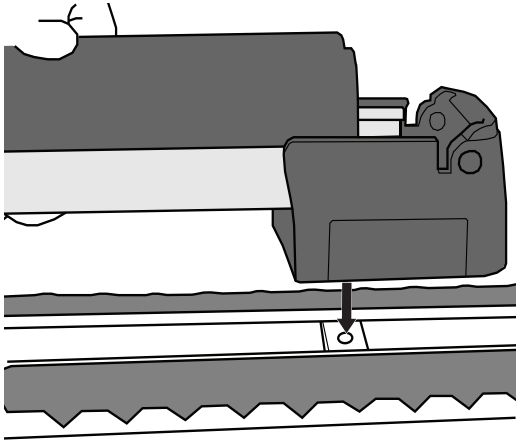
- 2** Push down the twist spring nut to lock into place.



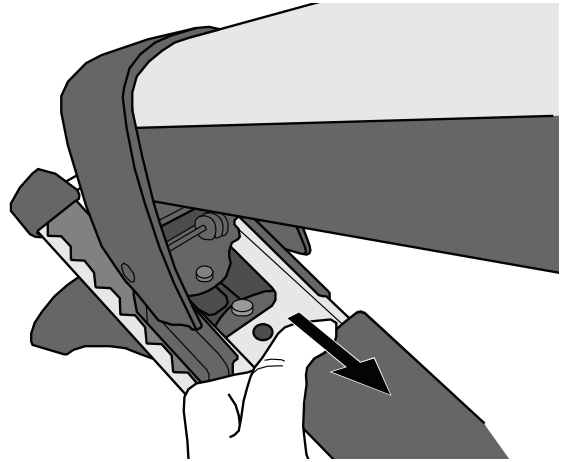
- 3** PR3064/ PR3094: Position 46.5 cm (18 1/2") apart.
PR3066/PR3096: Position 67 cm (26 3/8") apart.
Repeat on other crossbar.



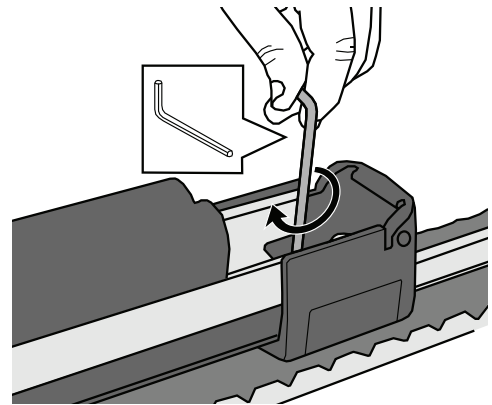
- 4** Determine which side the holder should be opened from.
Position holder on the crossbar.
Align holes in foot of holder over spring nuts.



- 5** NOTE: To provide more access to attachment points, bottom rubber cushion can slide align arm. Return rubber to centre once attachment finalised.



- 6** Attach capscrew with the hex key. Do not tighten fully.
Repeat at the other end.
Tighten all screws.
Repeat on other crossbar.
NOTE: Use longer capscrews.

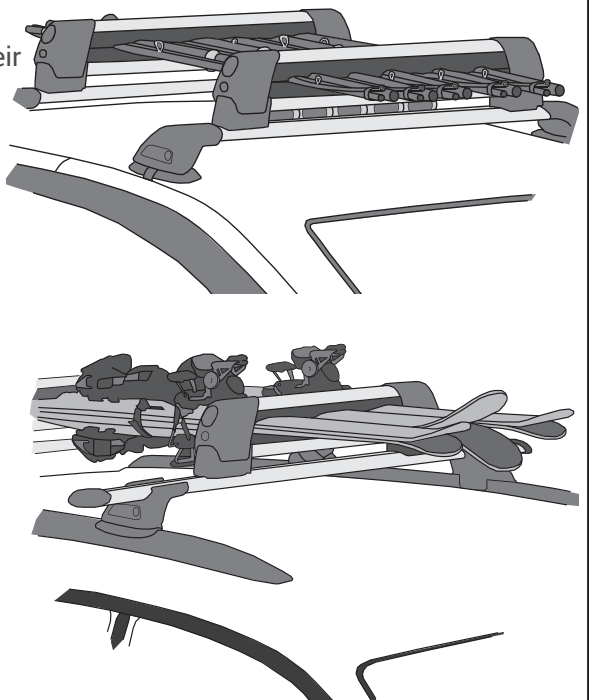


- 7** Objects with pointed ends (e.g ski poles) should be carried with the pointed ends to the rear of the vehicle.

NOTE: Ensure that skis or snowboards that are positioned upside down in holder have sufficient roof clearance for their bindings.

NOTE: Ensure that any reels have sufficient roof clearance.

To secure load, lower top arm until catch engages. Holder should be locked during transport.



Safety Checks

- Before Driving Away:
 - Ensure all hardware is secured according to instructions.
 - Test movement by rocking holders.
 - Tighten again if loose.
- Attachment hardware can loosen over time:
 - Check straps periodically during travel and tighten if necessary.
- - Replace any straps that are worn or frayed before using (see your Prorack dealer).
- Some longer loads may prevent the rear hatch from fully opening.

Always use caution when opening your hatch.



Care and Maintenance

- Use non-water soluble lubricant on screws. Use a soft cloth with water and mild detergent to clean plastic parts.


Prorack[®]
Ready for anything

Prorack
17 Hinkler Court, Brendale
QLD 4500, Australia

Freephone
AU: 1800 143 548
NZ: 0800 4776 722

www.prorack.com.au
www.prorack.co.nz

ALL CONTENT SUBJECT TO YAKIMA AUSTRALIA PTY LTD COPYRIGHT © 2015