

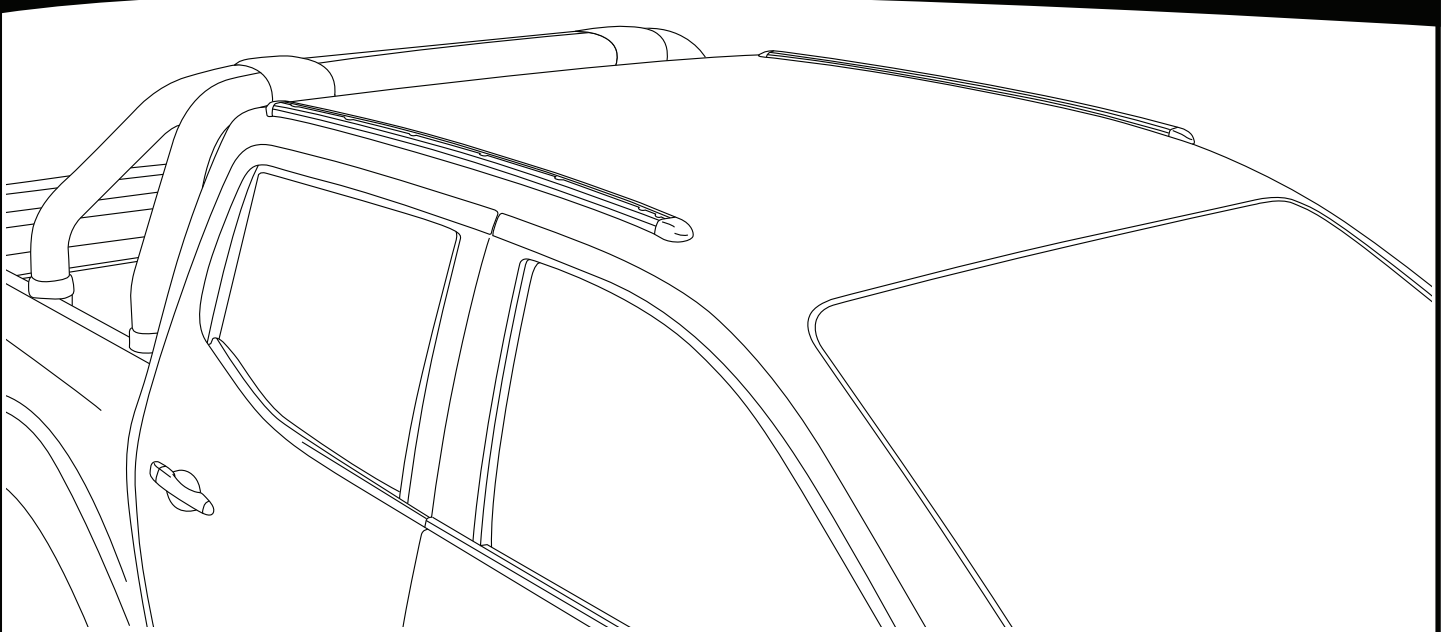
Q21



Instructions

**FOR NISSAN NAVARA NP300 (D23) DUAL CAB 2015-2021
NISSAN NAVARA (D23) DUAL CAB 2021+**

• **CAUTION: Professional installation recommended**



IMPORTANT WARNING!

IT IS CRITICAL THAT ALL TRACKS BE PROPERLY AND SECURELY ATTACHED TO YOUR VEHICLE. IMPROPER ATTACHMENT COULD RESULT IN AN AUTOMOBILE ACCIDENT, AND COULD CAUSE SERIOUS BODILY INJURY OR DEATH TO YOU OR TO OTHERS. YOU ARE RESPONSIBLE FOR SECURING THE TRACKS AND ACCESSORIES TO YOUR CAR, CHECKING THE ATTACHMENTS PRIOR TO USE, AND PERIODICALLY INSPECTING THE PRODUCTS FOR WEAR AND DAMAGE. THEREFORE, YOU MUST READ AND UNDERSTAND ALL OF THE INSTRUCTIONS AND CAUTIONS SUPPLIED WITH YOUR PRODUCT PRIOR TO INSTALLATION OR USE. IF YOU DO NOT UNDERSTAND ALL OF THE INSTRUCTIONS AND CAUTIONS, OR IF YOU HAVE NO MECHANICAL EXPERIENCE AND ARE NOT THOROUGHLY FAMILIAR WITH THE INSTALLATION PROCEDURES, YOU SHOULD HAVE THE PRODUCT INSTALLED BY A PROFESSIONAL INSTALLER SUCH AS A ROOF RACK SPECIALIST.

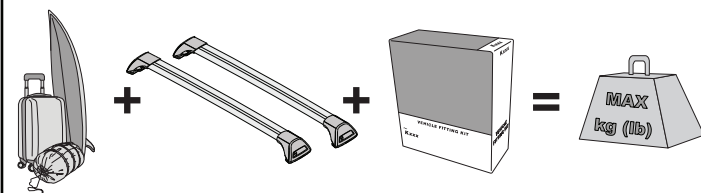
MAX kg (lb)

FITTING KIT LOAD RATING IS 75 kg, OR 100 kg WHEN PAIRED WITH HD BARS.



IMPORTANT:

- **LOAD = WEIGHT OF BARS + MOUNTING SYSTEM + ACCESSORIES + CARGO**
- **PLEASE REFER TO VEHICLE MANUFACTURER SPECIFICATIONS FOR MAX ROOF LOAD CAPACITY OF VEHICLE. THE LOWEST LOAD RATING APPLIES.**
- **OFFROAD RATING: SCAN QR CODE FOR LOAD RATING GUIDE. REDUCTIONS MAY APPLY.**



ALWAYS REFER TO OUR WEBSITE FOR THE LATEST VERSION OF INSTRUCTIONS.

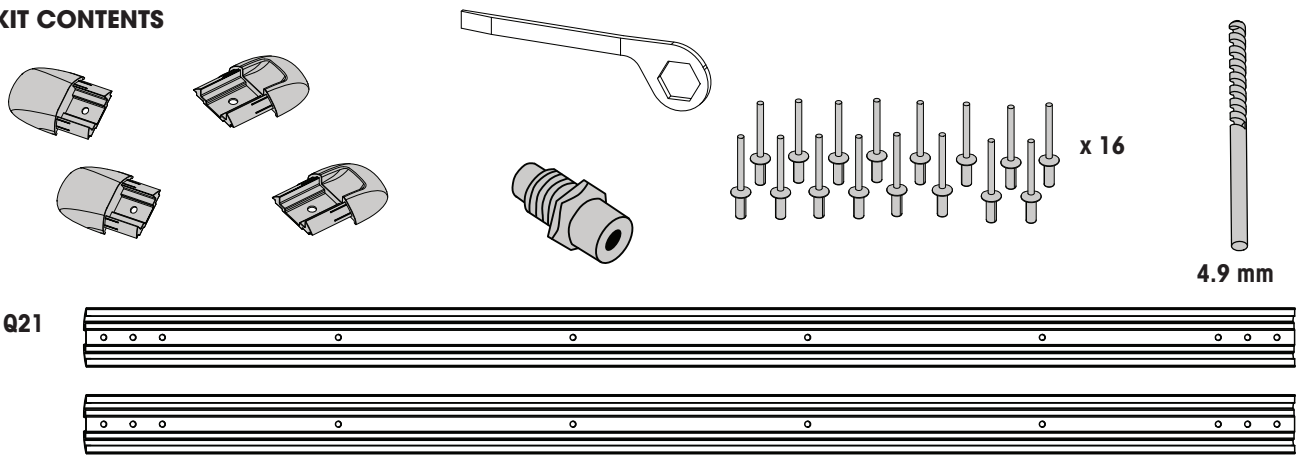
FIRST TIME INSTALLATION

- Please read instructions carefully before installation.
- Check the contents of the kit. Contact your dealer if any parts appear missing or damaged.
- Clean your roof thoroughly prior to fitting the Q21 Track System.

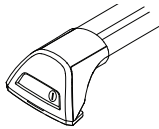
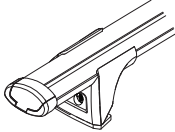
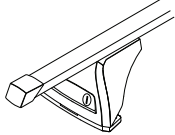
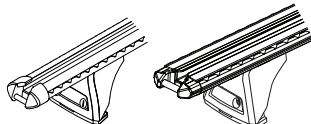
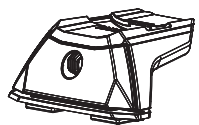
TOOLS AND COMPONENTS REQUIRED

- Masking Tape
- Drill
- Ø4.9 mm Drill Bit (provided)
- Tape Measure
- Marking Pen
- Ø4-5 mm Centre Punch
- 8-10 mm Drill Stop
- Cleaning cloth
- Vacuum Cleaner
- Zinc Rich Cold Galvanizing Compound
- Mastic Silicone Sealant
- Rivet Gun
- Rivet Nozzel (provided)
- Rivets (provided)
- Cardboard Strips

KIT CONTENTS



COMPATIBLE WITH

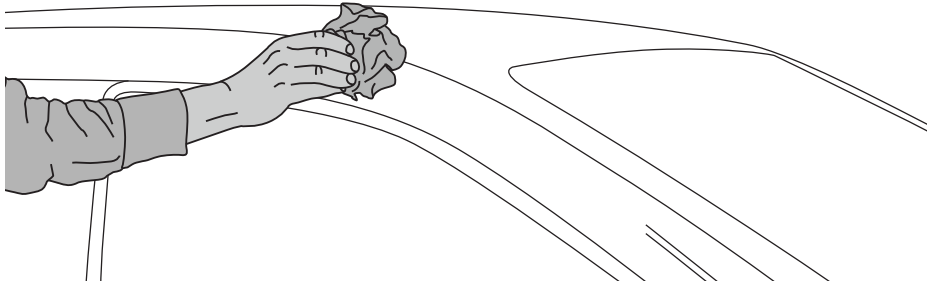
| | SKU | YAKIMA | PRORACK |
|---|------------|-------------------------------------|-------------------------------------|
|  | Flush | <input checked="" type="checkbox"/> | <input checked="" type="checkbox"/> |
|  | Thru | <input checked="" type="checkbox"/> | <input checked="" type="checkbox"/> |
|  | Standard | <input type="checkbox"/> | <input checked="" type="checkbox"/> |
|  | HD | <input checked="" type="checkbox"/> | <input checked="" type="checkbox"/> |
|  | TrackTower | <input checked="" type="checkbox"/> | <input type="checkbox"/> |

TRACK INSTALLATION GUIDE FOR NISSAN NP300 DUAL CAB

1 BEFORE BEGINNING INSTALLATION

Remove parts from package and check kit contents. If any parts are missing, please contact your nearest store.

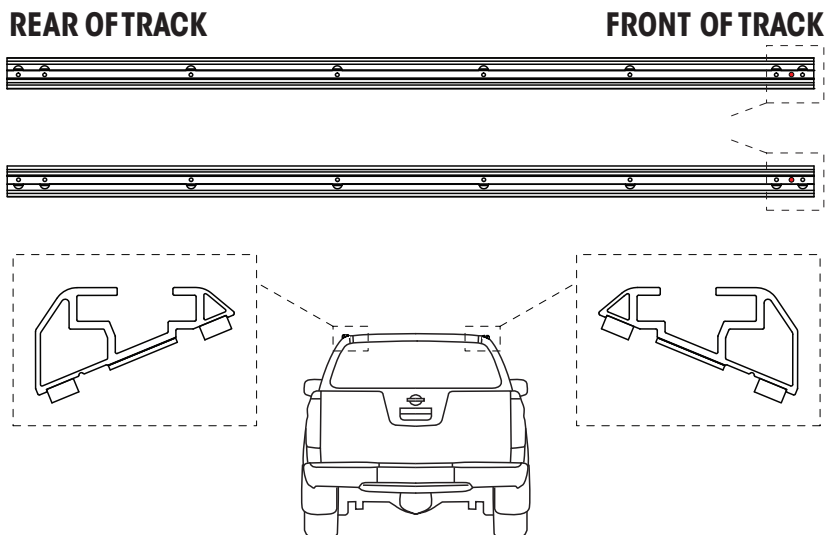
Clean roof thoroughly and allow drying before beginning installation.



TRACK POSITIONING

2 Identify left hand (LH) and right hand (RH) tracks as shown.

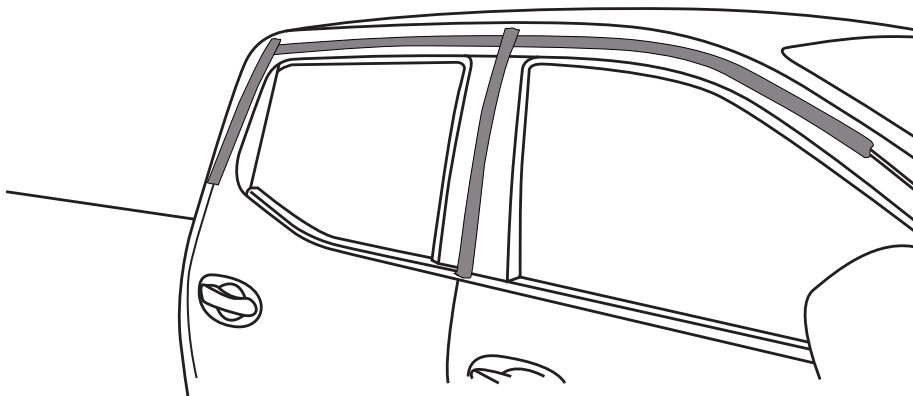
The front of each track is identified by a red circle sticker. Please note the front of the track is to be positioned with the front of the vehicle.



VEHICLE MASKING

3 Apply lengths of masking tape along window and door seals.

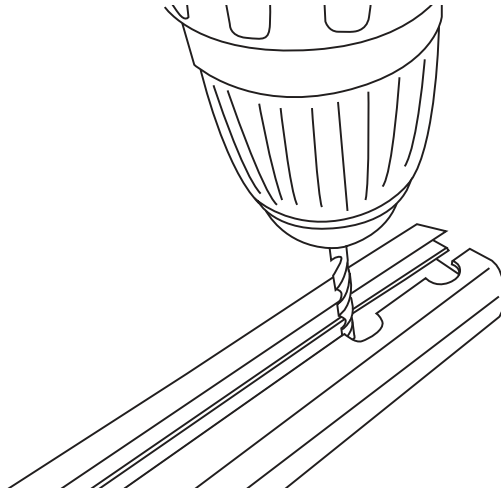
NOTE: This prevents drill swarf from getting caught.



TRACK PREPARATION

4

Using the $\varnothing 4.9$ mm drill bit provided, run through the foam covering the centre holes.

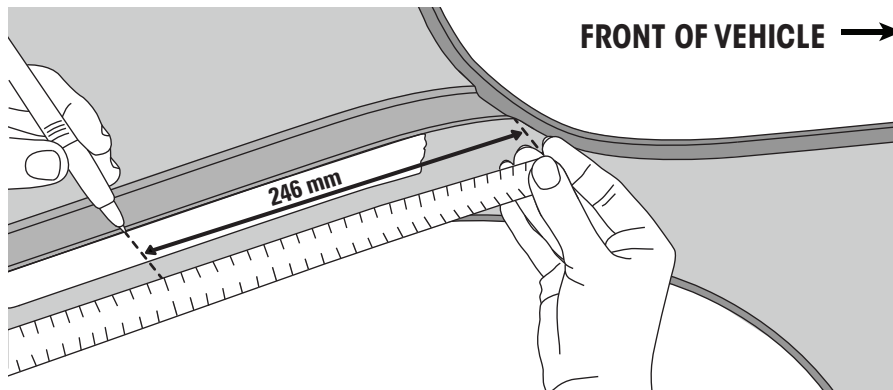


FRONT OF TRACK MEASUREMENT

5

Apply masking tape along the outer edge of the roof channel. NOTE: This will provide a surface for which measurements can be recorded.

Measure and mark a line 246 mm from the front corner radius of the roof channel to the start of the track.

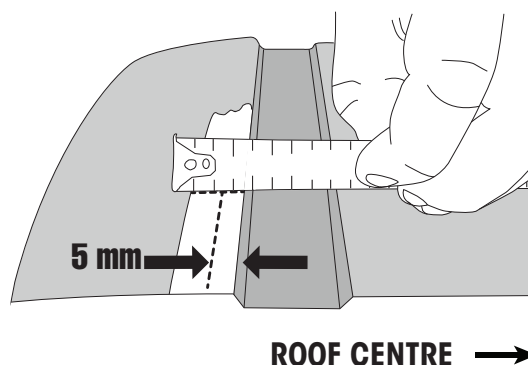
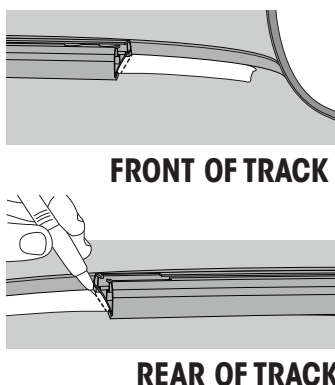


REAR OF TRACK MEASUREMENT

6

Place track on outer section of roof. Use masking tape to assist if required. Ensure front of track aligns with reference mark and sits parallel to roof channel.

Record rear of track position as shown then remove.



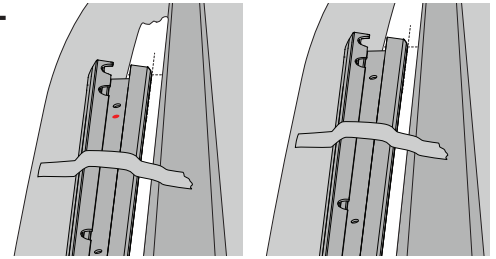
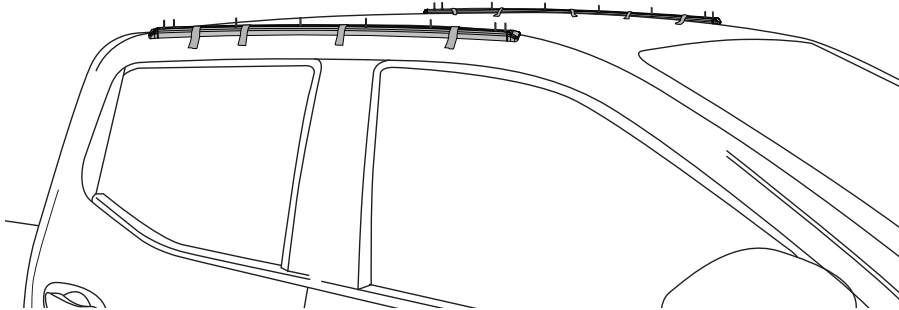
At the front and rear reference lines, measure and record 5 mm from the outside edge of the roof channel onto the masking tape. NOTE: Track corners will be positioned where the lines intersect.

POSITION AND SECURE TRACKS AS SHOWN

7

Place tracks onto vehicle. Take note of all marked measurements and the red front of track sticker.

Once positioned, secure well in place with masking tape.



FRONT OF TRACK

REAR OF TRACK

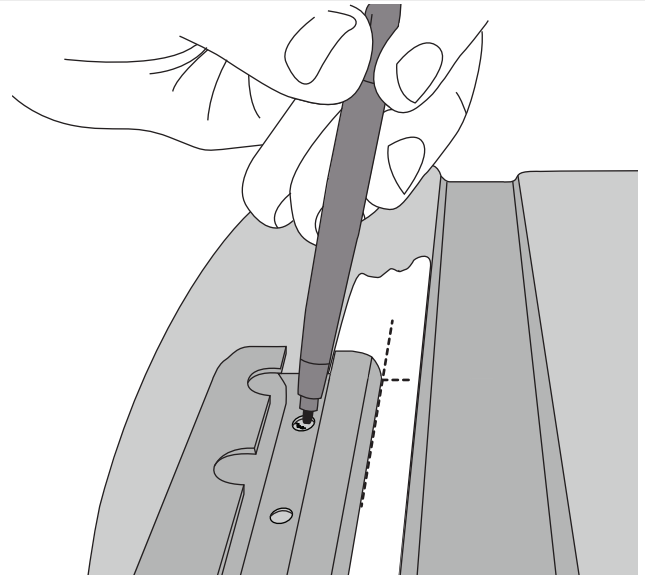
MARK DRILL HOLES

8

Using a tape measure, re-check the measurements and orientation of the track.

Using a marking pen, record the location of each track hole through the track onto the masking tape.

Remove track.

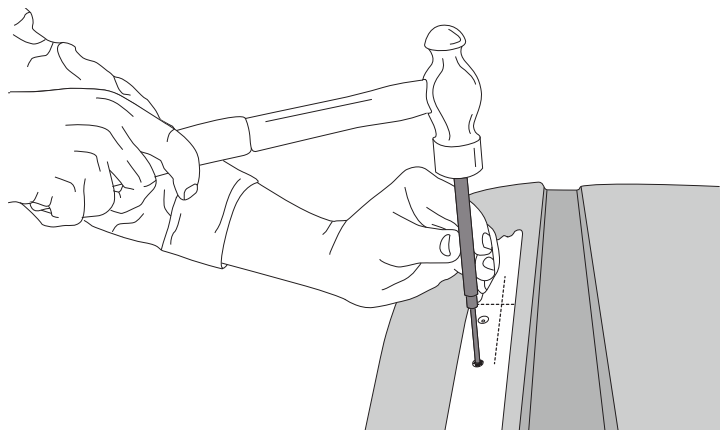


CENTRE PUNCH HOLES BEFORE DRILLING

9

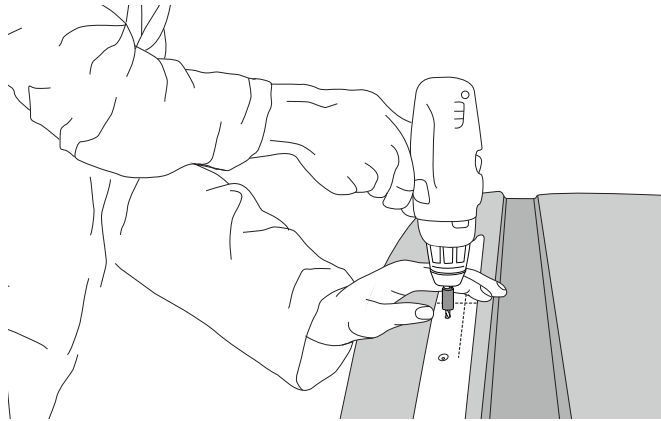
Lightly centre punch all marked hole positions with a $\text{\O}4\text{-}5$ mm pin punch tool.

Place tracks back onto vehicle and check to see if all centre punch marks line up with track holes. If necessary, re-measure to confirm.



DRILL ROOF

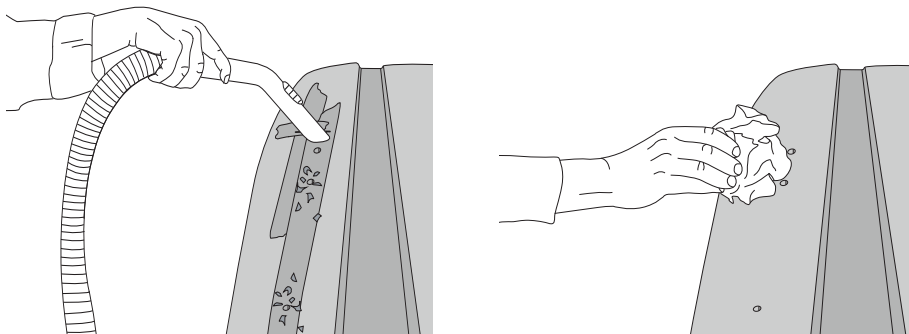
- 10** Using the $\text{\O}4.9$ mm drill bit provided and a 8-10 mm drill stop, carefully drill through the roof at each centre punched location. Ensure a drilling angle perpendicular to the roof surface is maintained throughout.



NOTE: A drill stop is used to avoid drilling into the second roof skin of the vehicle.

REMOVE SWarf

- 11** Using a vacuum cleaner carefully remove swarf from roof, taking care not to scratch the vehicle. Remove all masking tape and gently wipe clean with a damp cloth.



APPLY PROTECTIVE SEALANTS

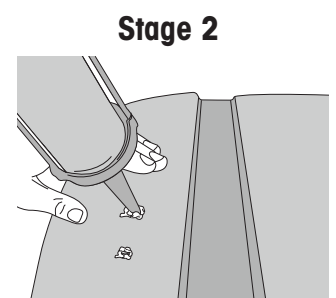
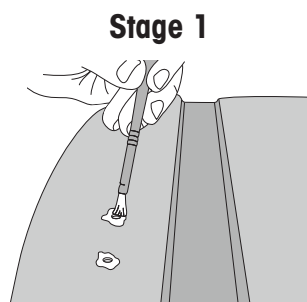
- 12** Protect roof channel by applying liberal amounts of protective sealants, as described.

Stage 1

Apply a zinc rich cold galvanising compound to the inside surface and surrounds of each drilled hole. Ensure the solution has adequate time to become touch dry before proceeding with Stage 2, (approx. 10 minutes depending product used).

Stage 2

Apply a mastic silicone sealant to the inside surface and surrounds of each hole.

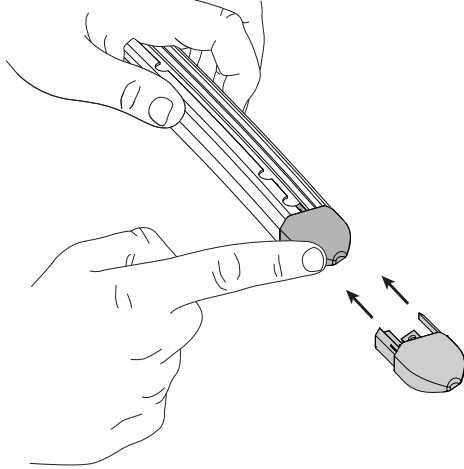


FIT END PLUGS TO TRACKS

13

Identify the front and rear end plugs.

Align end plug and slide into position.

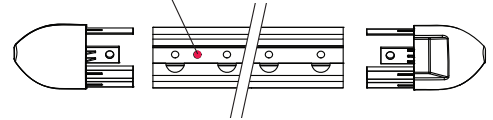


FRONT OF TRACK

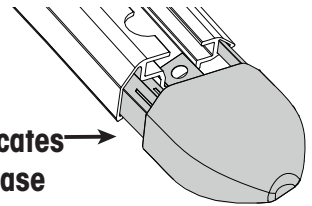
REAR OF TRACK



Red Circle Sticker



End plug locates above track base



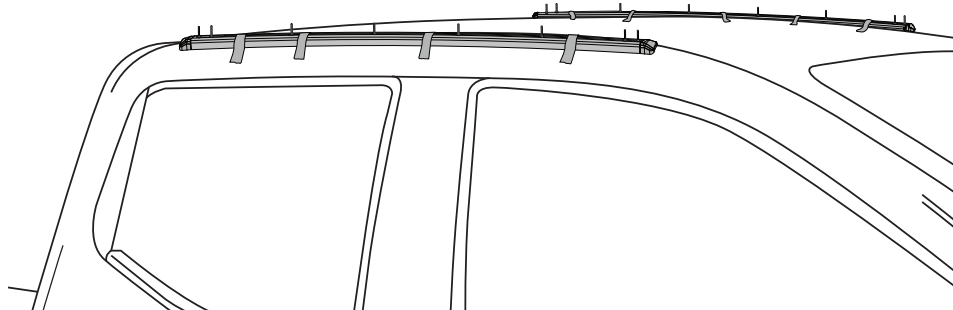
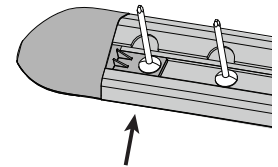
POSITION TRACK BACK ONTO THE VEHICLE

14

Place track back onto vehicle, taking note of correct orientation. Insert rivets through track holes and end plugs to align.

Once located, secure well with masking tape.

Insert rivet through end plug.

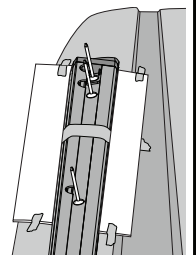
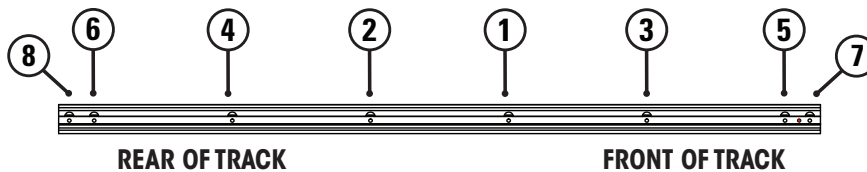


POSITION TRACK BACK ONTO THE VEHICLE

15

Place cardboard strips either side of the track prior to riveting to prevent accidental scratching of the roof body should the rivet gun slip. Good pressure must be applied to the track when riveting. For ease of installation, we recommend an assistant hold the track firmly in place.

Attach the rivet nozzle to a rivet gun with the provided 10 mm screw driver/spanner. Rivet the centre of the track. Continue to rivet in an alternating pattern out towards the end of the track.



TRACK INSTALLATION COMPLETE

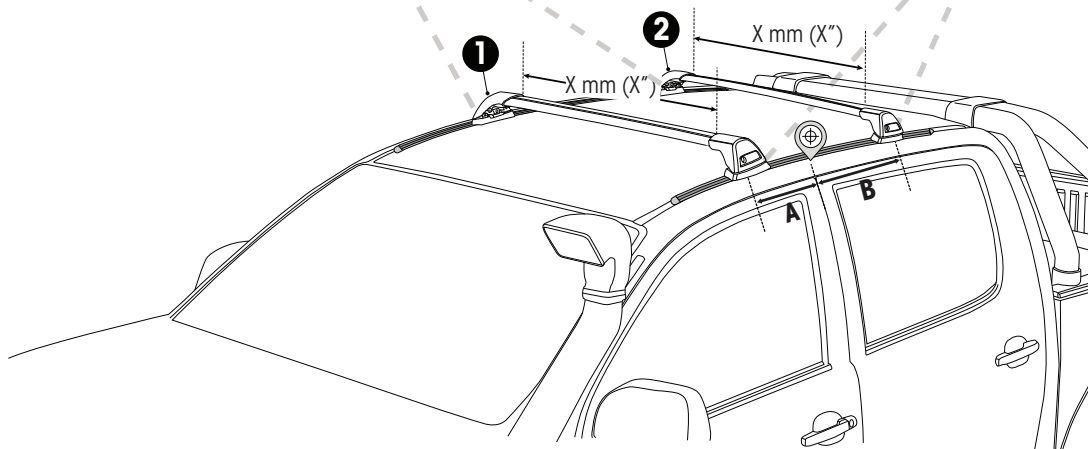
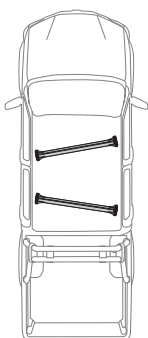
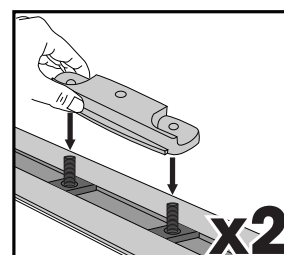
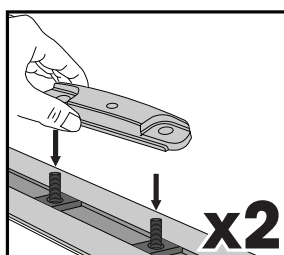
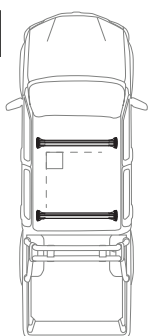
- 16** Check both tracks are secured to the vehicle as per these installation instructions. For assistance, contact your local dealer.





INSTALL ROOF RACK SYSTEM TO TRACKS

- 17** Please refer to the K450 instructions for details on how to attach your roof racks to the tracks.

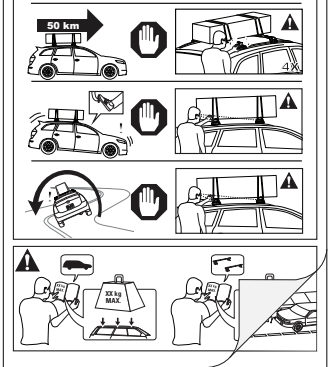
Note that the legs have already been pre-assembled to the crossbars for you so skip steps 2 to 11 and substitute the following details and measurements for Step 13.



|  |  | 1 | 2 | A | B |
|---|---|----------------------|----------------------|---------------------|----------------------|
| Nissan Navara NP300 (D23) Dual Cab, 4dr Ute 15-21 | EU | X = 995 mm (39 1/8") | X = 995 mm (39 1/8") | A = 210 mm (8 1/4") | B = 590 mm (23 1/4") |
| Nissan Navara NP300 (D23) Dual Cab, 4dr Ute 15-Feb 21 | NZ | X = 995 mm (39 1/8") | X = 995 mm (39 1/8") | A = 210 mm (8 1/4") | B = 590 mm (23 1/4") |
| Nissan Navara NP300 (D23) Dual Cab, 4dr Ute Jun 15-Feb 21 | AU | X = 995 mm (39 1/8") | X = 995 mm (39 1/8") | A = 210 mm (8 1/4") | B = 590 mm (23 1/4") |
| Nissan Navara (D23) Dual Cab, 4dr Ute 21+ | EU | X = 995 mm (39 1/8") | X = 995 mm (39 1/8") | A = 210 mm (8 1/4") | B = 590 mm (23 1/4") |
| Nissan Navara (D23) Dual Cab, 4dr Ute Mar 21+ | AU, NZ | X = 995 mm (39 1/8") | X = 995 mm (39 1/8") | A = 210 mm (8 1/4") | B = 590 mm (23 1/4") |

RECOMMENDATIONS

- Check accessory is securely attached whenever you refit accessories to the vehicle. If the tracks feels loose, refer to the fitting instructions or contact your local roof rack specialist.
- Regularly check all fasteners. This includes all attached accessories and roof racks.

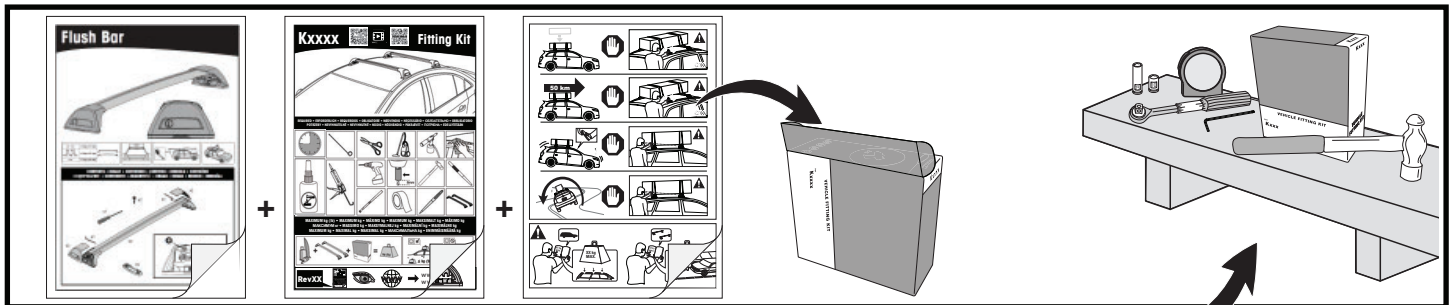
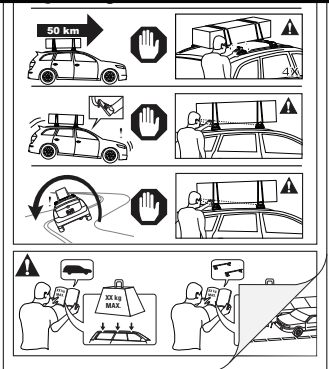


CAUTION

- A loaded roof rack system can alter the performance of your vehicle. Be especially aware of the effects of side winds, changing of direction, and braking performance. Avoid rapid acceleration and deceleration. Drive Carefully.
- Make sure all loads are securely fastened with non-elastic straps. Check regularly during longer journeys.
- Always remove roof racks from tracks before entering a car wash.
- Do not exceed the vehicle manufacturer's roof load rating. Total load equals weight of tracks + roof racks + accessories + cargo/equipment.

ATTENTION

Please read safety and warranty booklet included with this product prior to use.
For more information visit your local dealer.



ALL CONTENT SUBJECT TO YAKIMA AUSTRALIA PTY LTD COPYRIGHT © 2016

Yakima Australia Pty Ltd
17 Hinkler Court, Brendale
QLD 4500, Australia
1800 143 548
www.prorack.com.au
www.yakima.com.au

Yakima Products, Inc.
4101 Kruse Way
Lake Oswego, OR. 97035 USA
888 925 4621
www.yakima.com

WORKS WITH:

Prorack

WHISPBAR

YAKIMA